

## KLOVER STANDARD FRAMING CURTAIN WALL STUD DETAILS

Sheet Number	Sheet Name
KSF-C-ST-01	STUDS - BOX POST
KSF-C-ST-02	STUDS- JAMB ASSEMBLY
KSF-C-ST-03	STUDS- NESTED W/TRACK
KSF-C-ST-04	STUD- TRACK CONNECTIONS
KSF-C-ST-05	STUDS- TRACK TO SLAB CONNECTIONS
KSF-C-ST-06	STUDS-BRIDGING FOR 6" WALLS
KSF-C-ST-07	STUDS- BRIDGING FOR 8" AND THICKER WALLS
KSF-C-ST-08	KNEE WALL
KSF-C-ST-09	MULTI-STORY VERTICAL PANELS STACKED
KSF-C-ST-10	SPANDREL PANEL W/SUPPORT BRACE AT WINDOW HEADER
KSF-C-ST-11	SPANDREL PANEL WITH FIXED CLIP FLOOR SUPPORT
KSF-C-ST-12	SPANDREL PANEL WITH INFILL WINDOWS
KSF-C-ST-13	PARAPET WITH FOUNDATION SUPPORTED WALL PANEL
KSF-C-ST-14	PANEL ATTACHMENT TO SLAB EDGE W/ PLATE
KSF-C-ST-15	PANEL ATTACHMENT TO SLAB EDGE W/ WELDED CLIP
KSF-C-ST-16	SPANDREL PANEL ATTACHMENT W/ BRICK SHELF TO SLAB EDGE



### INDEX SHEET LIST

1121 RICHLAND COMMERCE DRIVE; SUITE B  
QUAKERTOWN, PA 18951

Scale

Date:

06/29/21

**KSF-C-INDEX-01**

## KLOVER STANDARD FRAMING CURTAIN WALL FRAMED OPENING DETAILS

Sheet Number	Sheet Name
KSF-C-FO-01	FRAMED OPENING- SILL
KSF-C-FO-02	BOXED HEADER (TYP.)
KSF-C-FO-03	WINDOW HEADER AND SILL
KSF-C-FO-04	WINDOW JAMB
KSF-C-FO-05	EXTERIOR DOOR HEADER (TYP)
KSF-C-FO-06	EXTERIOR DOOR JAMB (TYP)
KSF-C-FO-07	EXTERIOR DOOR HEADER ALTERNATE
KSF-C-FO-08	EXTERIOR DOOR JAMB ALTERNATE
KSF-C-FO-09	WINDOW BOX HEADER AND SILL
KSF-C-FO-10	WINDOW JAMB DETAIL
KSF-C-FO-11	INTERIOR DOOR BOX HEADER
KSF-C-FO-12	INTERIOR DOOR BOX HEADER ALTERNATE
KSF-C-FO-13	INTERIOR DOOR JAMB (TYP.)
KSF-C-FO-14	INTERIOR DOOR JAMB ALTERNATE

## KLOVER STANDARD FRAMING CURTAIN WALL PANEL JOINT DETAILS

Sheet Number	Sheet Name
KSF-C-PJ-01	PANEL JOINTS- EXTERIOR
KSF-C-PJ-02	PANEL JOINTS- INTERIOR
KSF-C-PJ-03	PANEL JOINT - VAPOR BARRIER FIELD TAPING OVER SHEATHING



## INDEX SHEET LIST

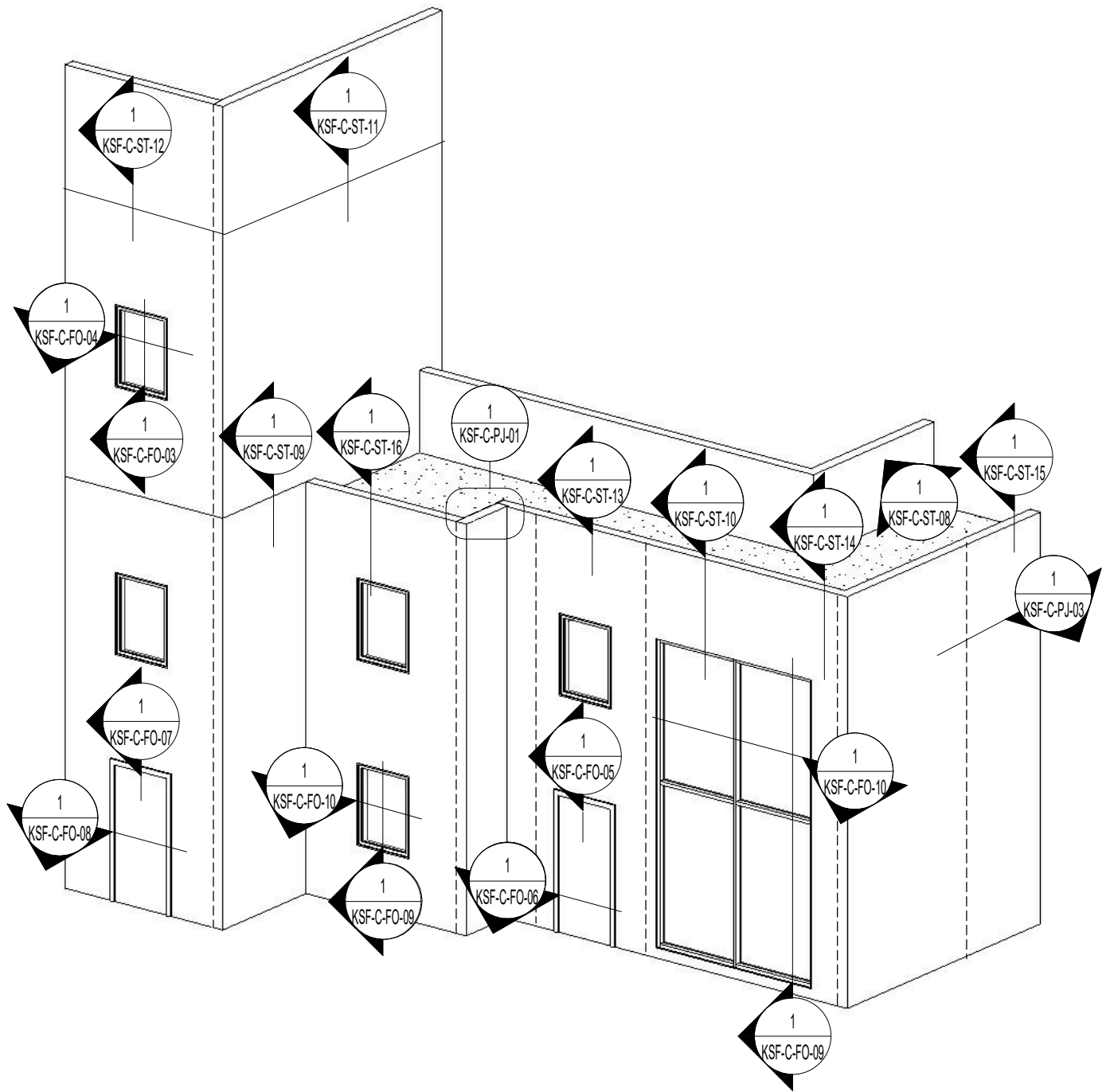
1121 RICHLAND COMMERCE DRIVE; SUITE B  
QUAKERTOWN, PA 18951

Scale

Date:

06/29/21

**KSF-C-INDEX-02**



**KLOVER**

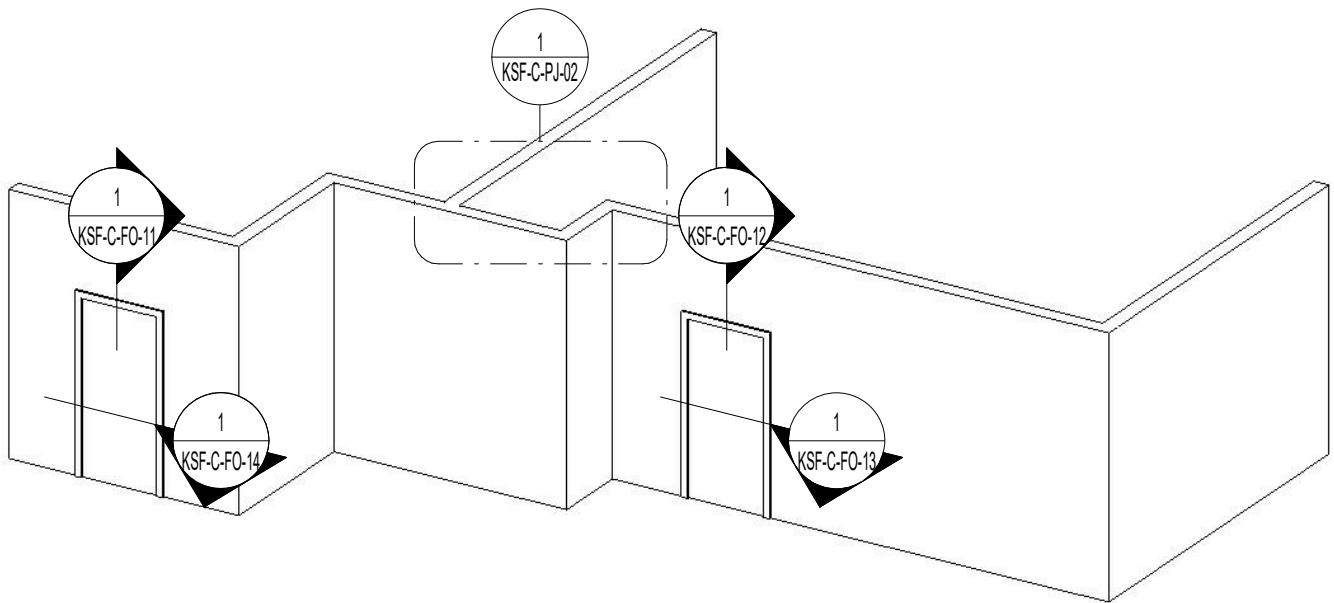
**ISOMETRIC DETAIL - EXTERIOR  
CONDITIONS**

1121 RICHLAND COMMERCE DRIVE; SUITE B  
QUAKERTOWN, PA 18951

Scale 3/16" = 1'-0"

Date: 06/29/21

**KSF-C-INDEX-03**



**KLOVER** 

**ISOMETRIC DETAIL - INTERIOR  
CONDITIONS**

1121 RICHLAND COMMERCE DRIVE; SUITE B  
QUAKERTOWN, PA 18951

Scale 3/16" = 1'-0"

Date: 06/29/21

**KSF-C-INDEX-04**

**DISCLAIMER**

**THESE DETAILS ARE BASED ON INDUSTRY ACCEPTED PRACTICES AND PROVIDE GENERAL GUIDELINES FOR PREFABRICATED COLD FORMED METAL FRAMING (CFMF) ASSEMBLIES, APPLICATIONS, INSTALLATION AND ASSOCIATED COMPONENTS. THESE DETAILS ARE PROVIDED FOR GENERAL INFORMATIONAL PURPOSES ONLY AND ARE NOT PROJECT SPECIFIC.**

**MANY DETAILS CONTAIN ITEMS MARKED "BY OTHERS" WHICH MEANS THEY ARE NOT SUPPLIED BY KLOVER (UNLESS SPECIFICALLY IDENTIFIED AND AGREED TO BY CONTRACT). THE PURPOSE IN INCLUDING THESE ITEMS IS TO SHOW GENERAL DESIGN CONCEPTS BETWEEN THE VARIOUS COMPONENTS TYPICALLY SUPPLIED BY DIFFERENT VENDORS AS PART OF WALL, FLOOR OR ROOF ASSEMBLIES AND JUNCTURES.**

**IT IS THE RESPONSIBILITY OF THE ARCHITECT TO PROVIDE THE PROPER DESIGN INTENT. ALL COMPONENTS SHOWN MUST BE DESIGNED AND INSTALLED PER THE LICENSED ENGINEER OF RECORD AND SPECIALTY STRUCTURAL ENGINEER FOR EVERY PROJECT.**



**INDEX SHEET LIST DISCLAIMER**

1121 RICHLAND COMMERCE DRIVE; SUITE B  
QUAKERTOWN, PA 18951

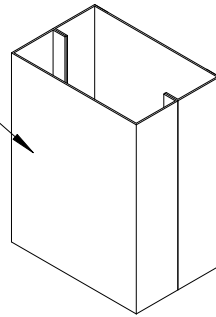
Scale

Date:

06/29/21

**KSF-C-INDEX-05**

DOUBLED UP STUD BOX POST (U.N.O.),  
OPEN END TO OPEN END  
CONFIGURATION; REFER TO CFMS  
ENGINEERING FOR SIZING AND WELD  
REQUIREMENTS



## STUDS - BOX POST

1121 RICHLAND COMMERCE DRIVE; SUITE B  
QUAKERTOWN, PA 18951

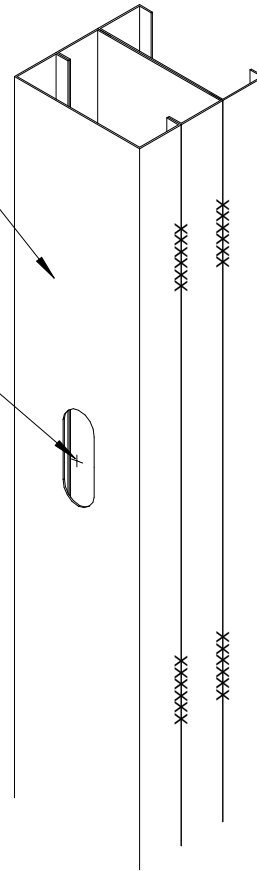
Scale 1 1/2" = 1'-0"

Date: 06/29/21

**KSF-C-ST-01**

MULTIPLE STUD JAMB ASSEMBLY;  
REFER TO CFMS ENGINEERING  
FOR MEMBER AND WELD REQUIREMENTS FOR  
EXTERIOR WALLS: BATT INSULATION ADDED DURING  
PANEL FABRICATION

SERVICE HOLE(S):  
1'-0" O.C. FROM BOTTOM OF PANEL  
ADDITIONAL HOLE EVERY 2'-0" O.C.,  
STARTING AT 3'-0"  
FINAL HOLE MINIMUM OF 1'-0" O.C. FROM TOP  
OF PANEL



**KLOVER**

STUDS- JAMB ASSEMBLY

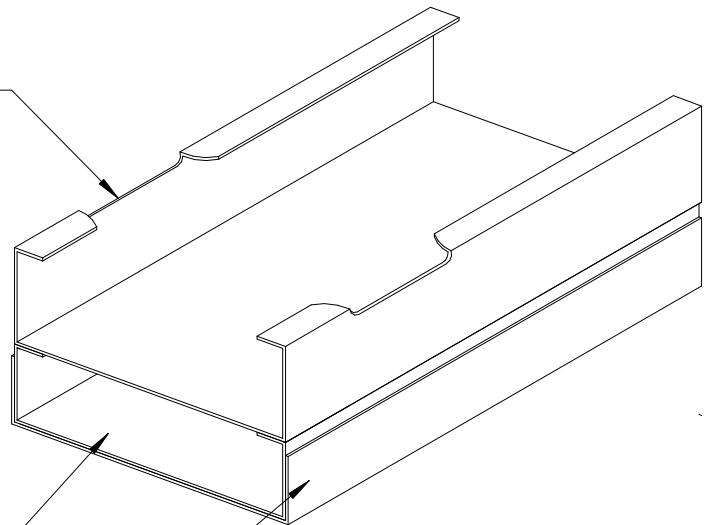
1121 RICHLAND COMMERCE DRIVE; SUITE B  
QUAKERTOWN, PA 18951

Scale 1 1/2" = 1'-0"

Date: 06/29/21

KSF-C-ST-02

CRIPPLE RECEIVING STUD TRACK;  
REFER TO CFMS ENGINEERING FOR  
MEMBER REQUIREMENTS; LIP CUT AT  
CRIPPLE STUDS WHEN ROLLED BY  
KLOVER



CONTINUOUS HORIZONTAL STUD FOR  
NESTED STUD; REFER TO CFMS  
ENGINEERING FOR MEMBER  
REQUIREMENTS

CONTINUOUS HORIZONTAL BOTTOM  
TRACK; REFER TO CFMS ENGINEERING  
FOR MEMBER REQUIREMENTS



## STUDS- NESTED W/TRACK

1121 RICHLAND COMMERCE DRIVE; SUITE B  
QUAKERTOWN, PA 18951

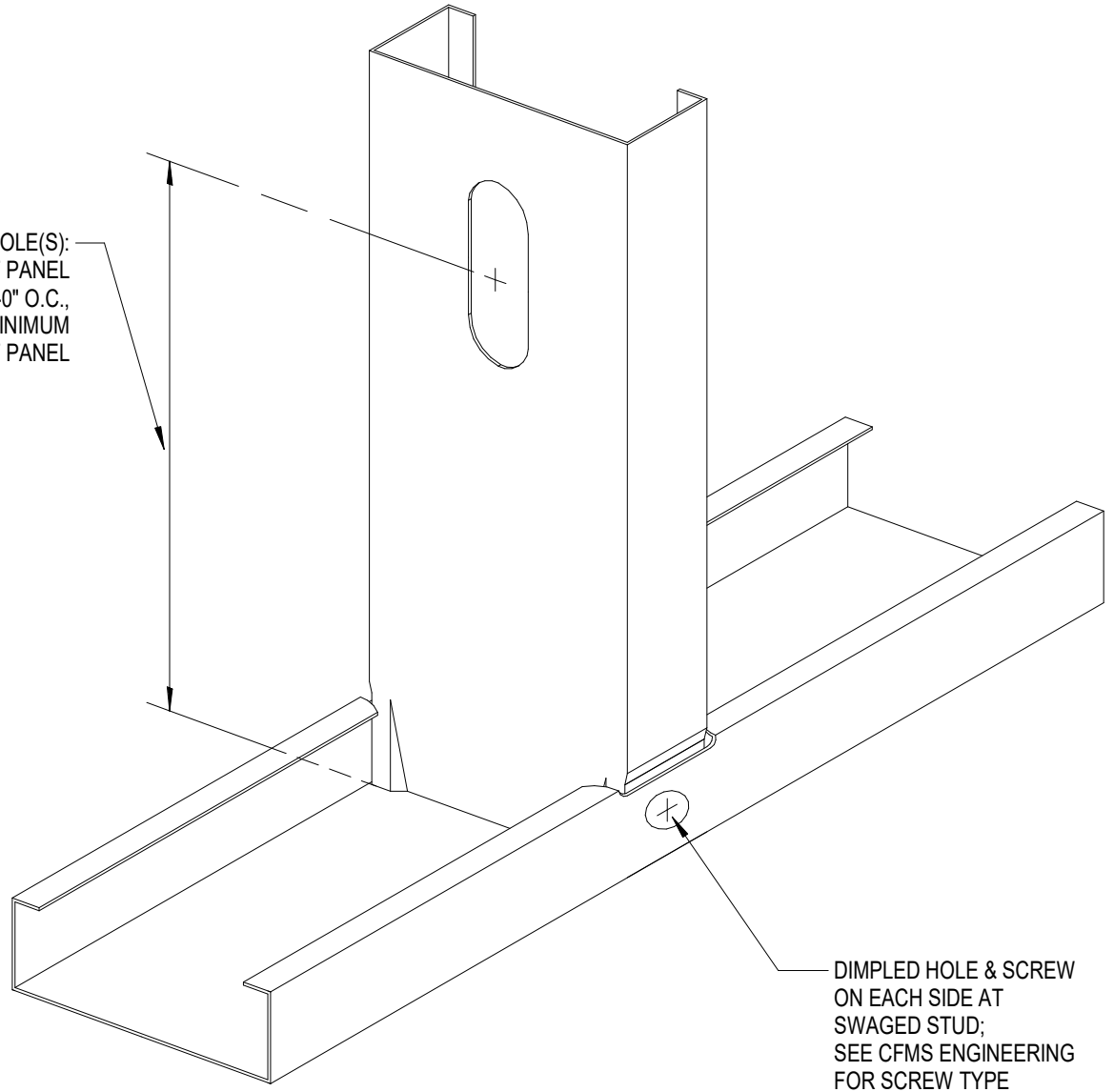
Scale 3" = 1'-0"

Date: 06/29/21

KSF-C-ST-03



SERVICE HOLE(S):  
1'-0" O.C. FROM BOTTOM OF PANEL  
ADDITIONAL HOLE EVERY 2'-0" O.C.,  
STARTING AT 3'-0" FINAL HOLE MINIMUM  
OF 1'-0" O.C. FROM TOP OF PANEL



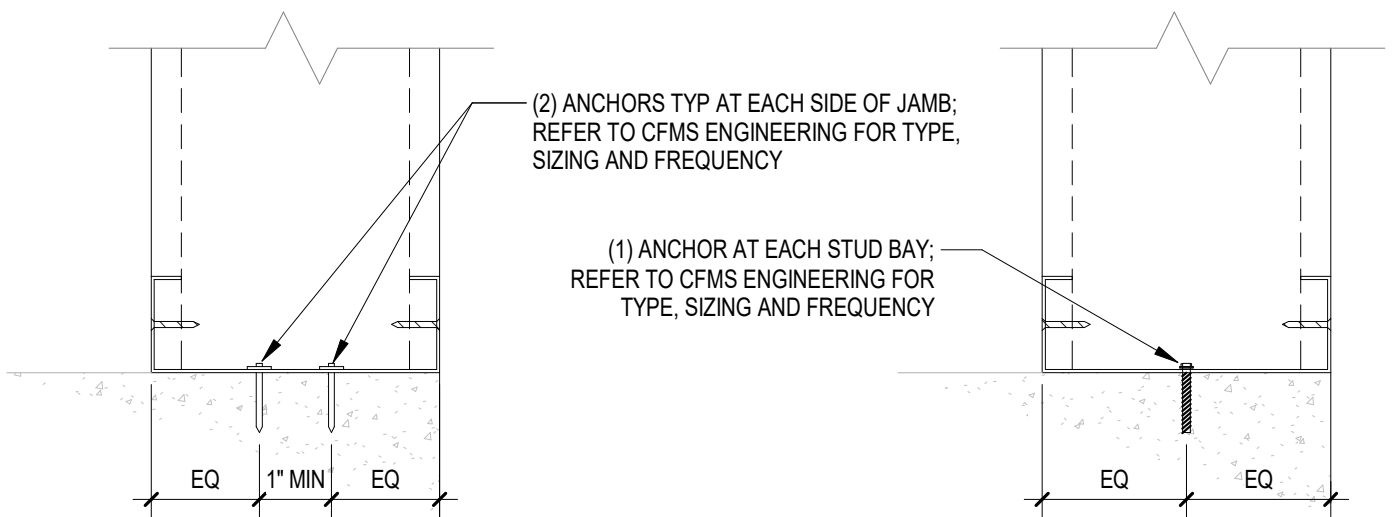
## STUD- TRACK CONNECTIONS

1121 RICHLAND COMMERCE DRIVE; SUITE B  
QUAKERTOWN, PA 18951

Scale 3" = 1'-0"

Date: 06/29/21

**KSF-C-ST-04**



TYPICAL CONNECTION  
AT JAMB

TYPICAL CONNECTION  
AT STUD BAY



# STUDS- TRACK TO SLAB CONNECTIONS

1121 RICHLAND COMMERCE DRIVE; SUITE B  
QUAKERTOWN, PA 18951

Scale 3" = 1'-0"

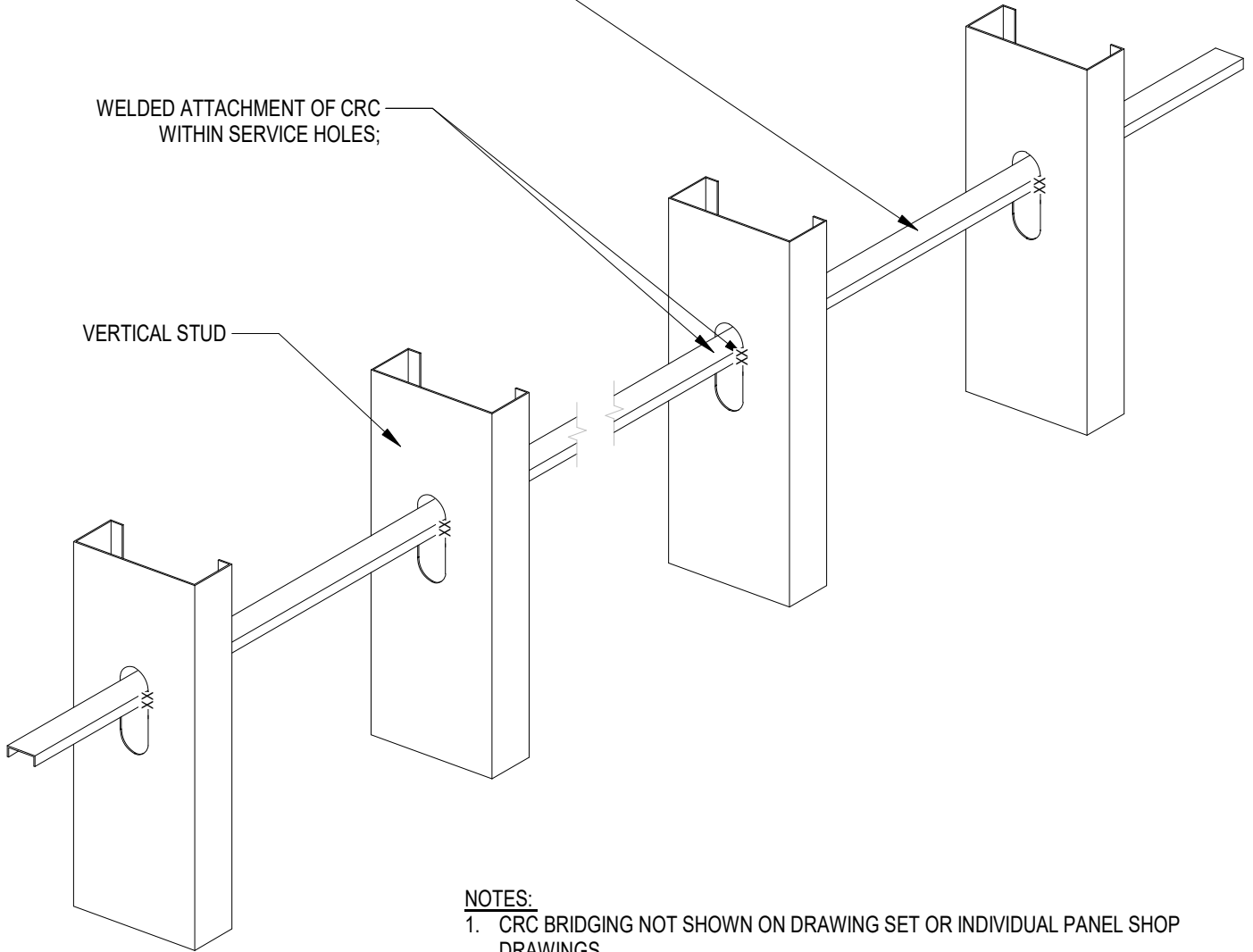
Date: 06/29/21

**KSF-C-ST-05**

COLD-FORMED U-CHANNEL (CRC) TYPICALLY AT 4'-0" O.C. VERTICALLY, PLACED THROUGH SERVICE HOLES

WELDED ATTACHMENT OF CRC WITHIN SERVICE HOLES;

VERTICAL STUD



**NOTES:**

1. CRC BRIDGING NOT SHOWN ON DRAWING SET OR INDIVIDUAL PANEL SHOP DRAWINGS
2. CRC BRIDGING CONTINUOUS, LEG DOWN, THE ENTIRE WIDTH OF PANEL, EXCEPT AT PANEL OPENINGS
3. SEE CFMS ENGINEERING FOR SIZING REQUIREMENTS



# STUDS-BRIDGING FOR 6" WALLS

1121 RICHLAND COMMERCE DRIVE; SUITE B  
QUAKERTOWN, PA 18951

Scale 1 1/2" = 1'-0"

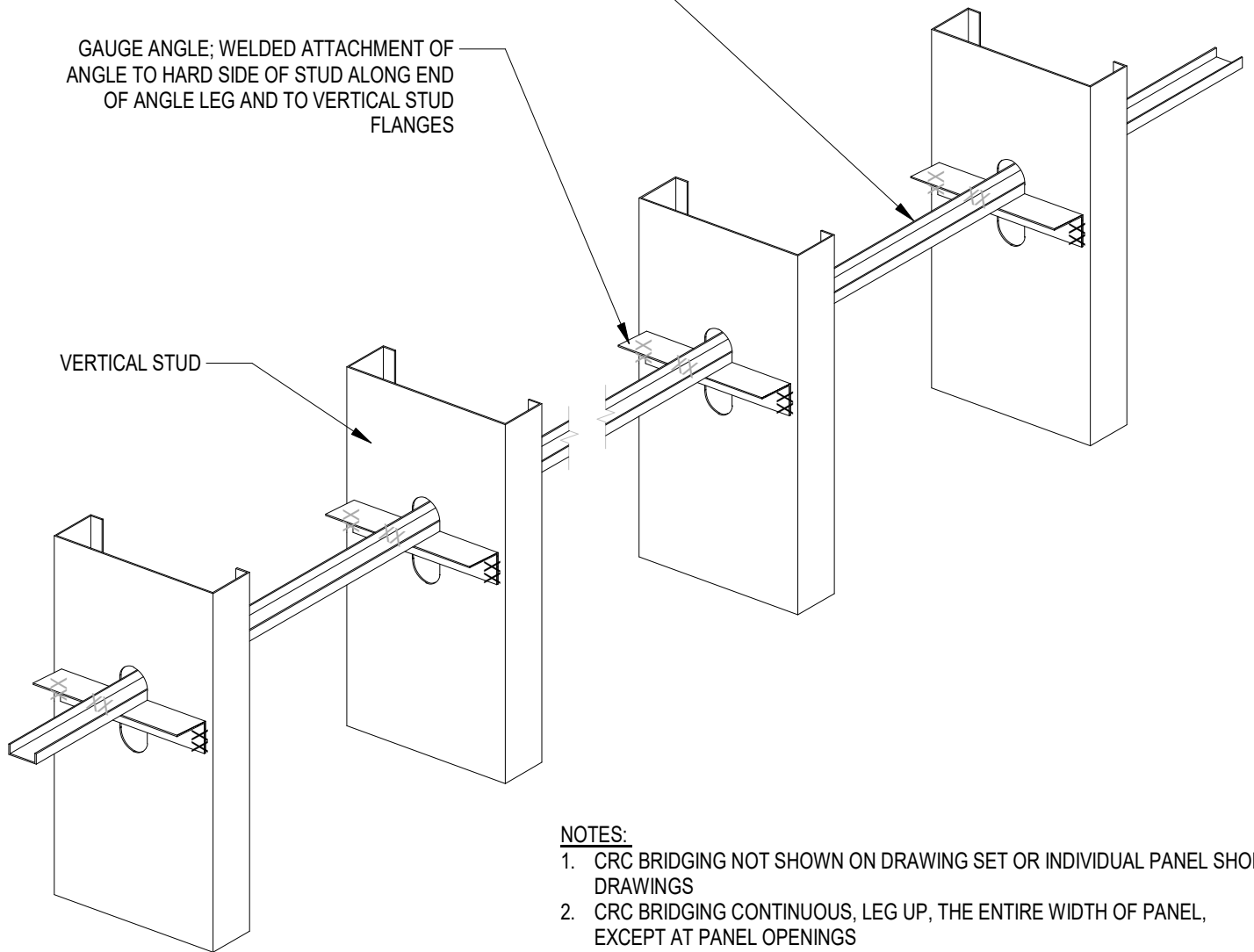
Date: 06/29/21

**KSF-C-ST-06**

COLD-FORMED U-CHANNEL (CRC) TYPICALLY AT 4'-0" O.C. VERTICALLY, PLACED THROUGH SERVICE HOLES; WELDED ATTACHMENT OF CRC TO ONLY ANGLE LEG

GAUGE ANGLE; WELDED ATTACHMENT OF ANGLE TO HARD SIDE OF STUD ALONG END OF ANGLE LEG AND TO VERTICAL STUD FLANGES

VERTICAL STUD



NOTES:

1. CRC BRIDGING NOT SHOWN ON DRAWING SET OR INDIVIDUAL PANEL SHOP DRAWINGS
2. CRC BRIDGING CONTINUOUS, LEG UP, THE ENTIRE WIDTH OF PANEL, EXCEPT AT PANEL OPENINGS
3. SEE CFMS ENGINEERING FOR SIZING REQUIREMENTS

**KLOVER** 

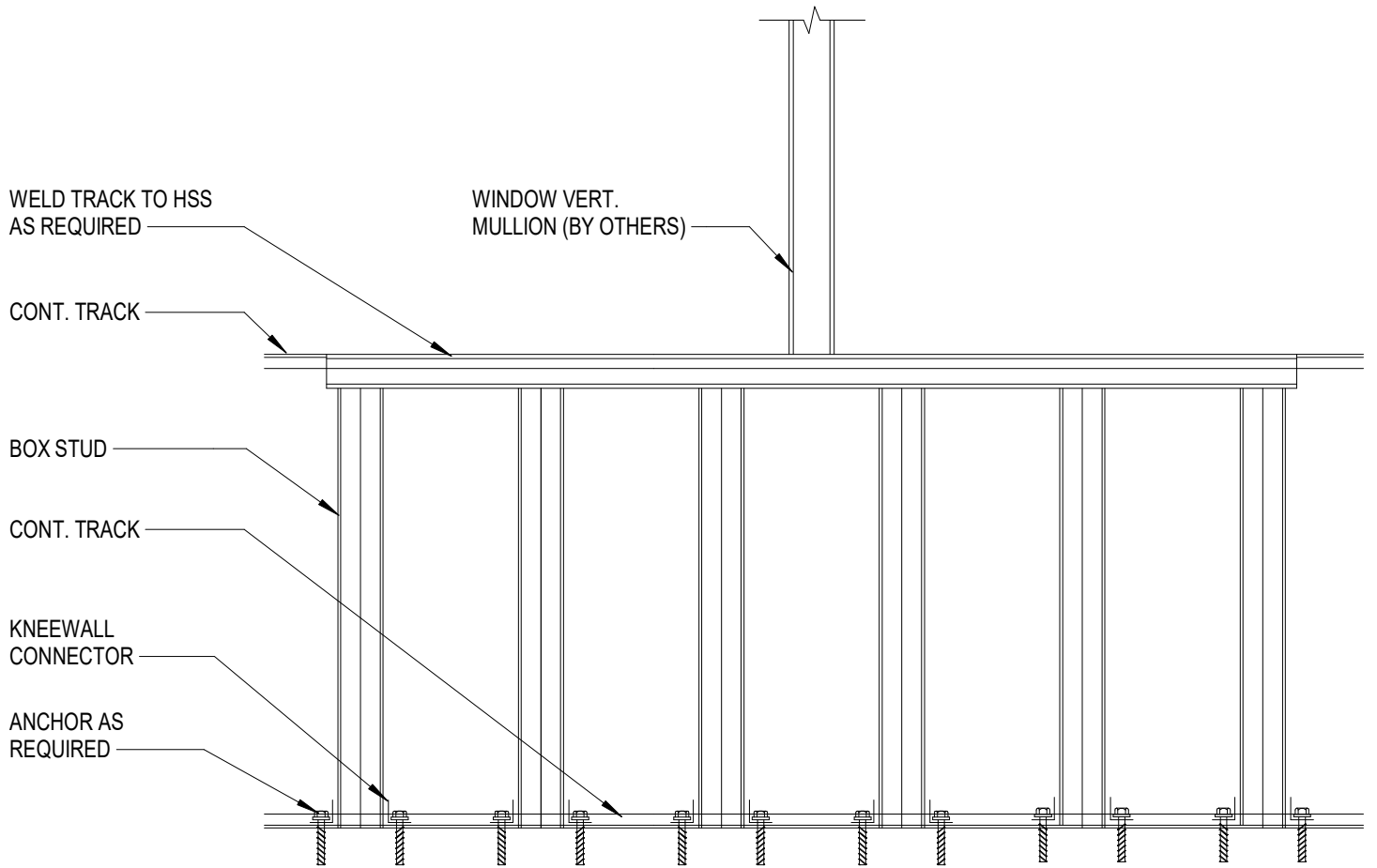
## STUDS- BRIDGING FOR 8" AND THICKER WALLS

1121 RICHLAND COMMERCE DRIVE; SUITE B  
QUAKERTOWN, PA 18951

Scale 1 1/2" = 1'-0"

Date: 06/29/21

**KSF-C-ST-07**



REFERENCE DETAIL ONLY - CONSULT WITH CFMS STRUCTURAL  
ENGINEER FOR SIZING, BRACING AND ATTACHMENT REQUIREMENTS



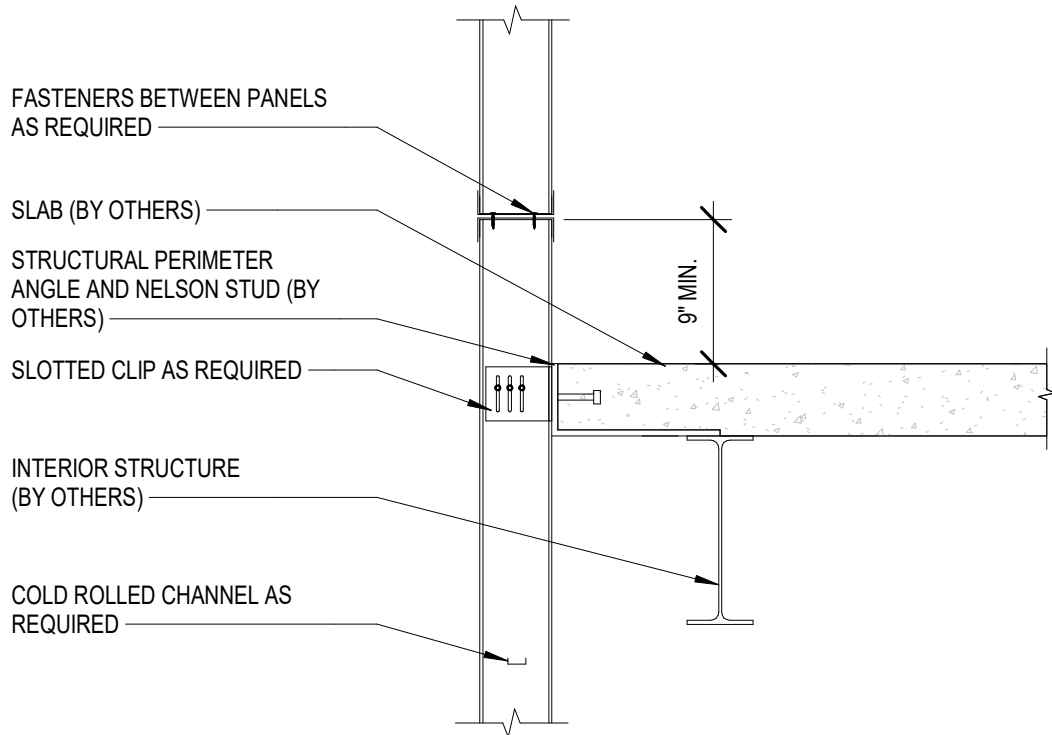
## KNEE WALL

1121 RICHLAND COMMERCE DRIVE; SUITE B  
QUAKERTOWN, PA 18951

Scale 3/4" = 1'-0"

Date: 06/29/21

KSF-C-ST-08



REFERENCE DETAIL ONLY - CONSULT WITH CFMS STRUCTURAL ENGINEER FOR SIZING, BRACING AND ATTACHMENT REQUIREMENTS



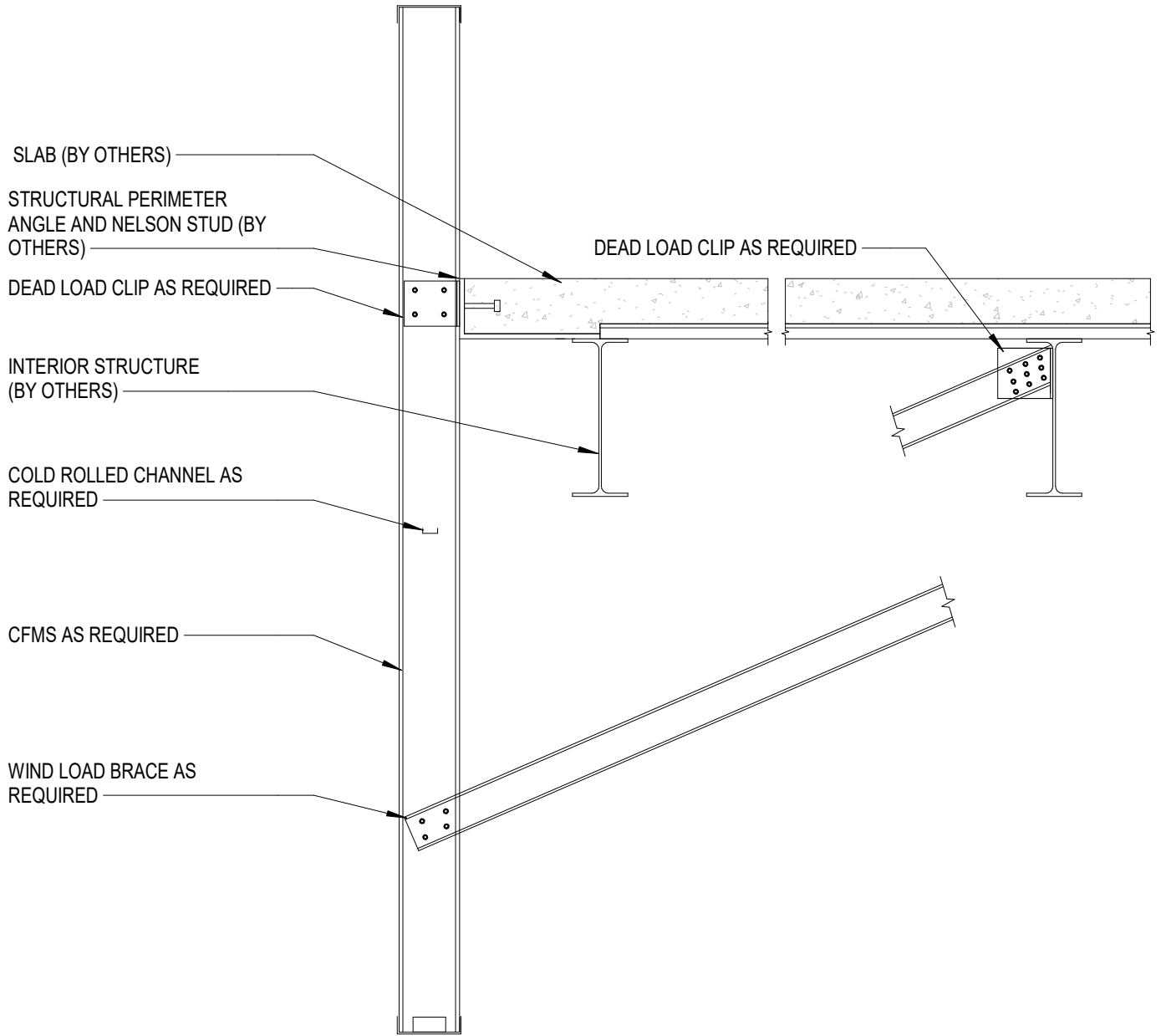
# MULTI-STORY VERTICAL PANELS STACKED

1121 RICHLAND COMMERCE DRIVE; SUITE B  
QUAKERTOWN, PA 18951

Scale 3/4" = 1'-0"

Date: 06/29/21

KSF-C-ST-09



REFERENCE DETAIL ONLY - CONSULT WITH CFMS STRUCTURAL ENGINEER FOR SIZING, BRACING AND ATTACHMENT REQUIREMENTS



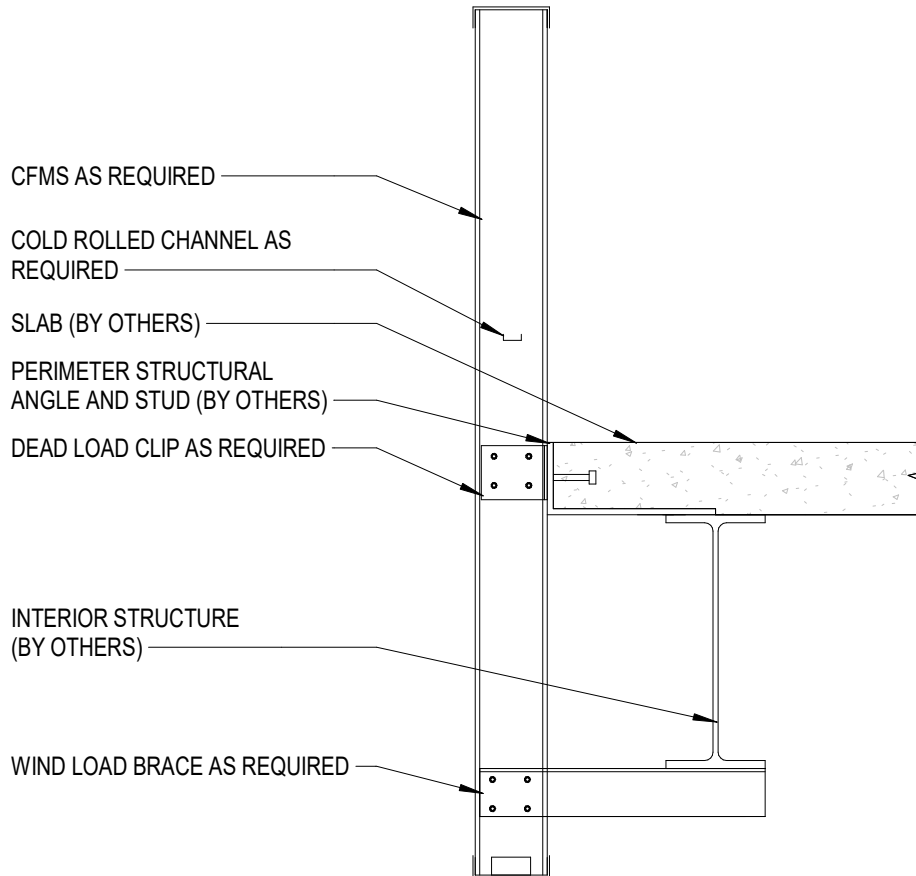
**SPANDREL PANEL W/SUPPORT BRACE AT WINDOW HEADER**

1121 RICHLAND COMMERCE DRIVE; SUITE B  
QUAKERTOWN, PA 18951

Scale 3/4" = 1'-0"

Date: 06/29/21

**KSF-C-ST-10**



REFERENCE DETAIL ONLY - CONSULT WITH CFMS STRUCTURAL ENGINEER FOR SIZING, BRACING AND ATTACHMENT REQUIREMENTS



# SPANDREL PANEL WITH FIXED CLIP FLOOR SUPPORT

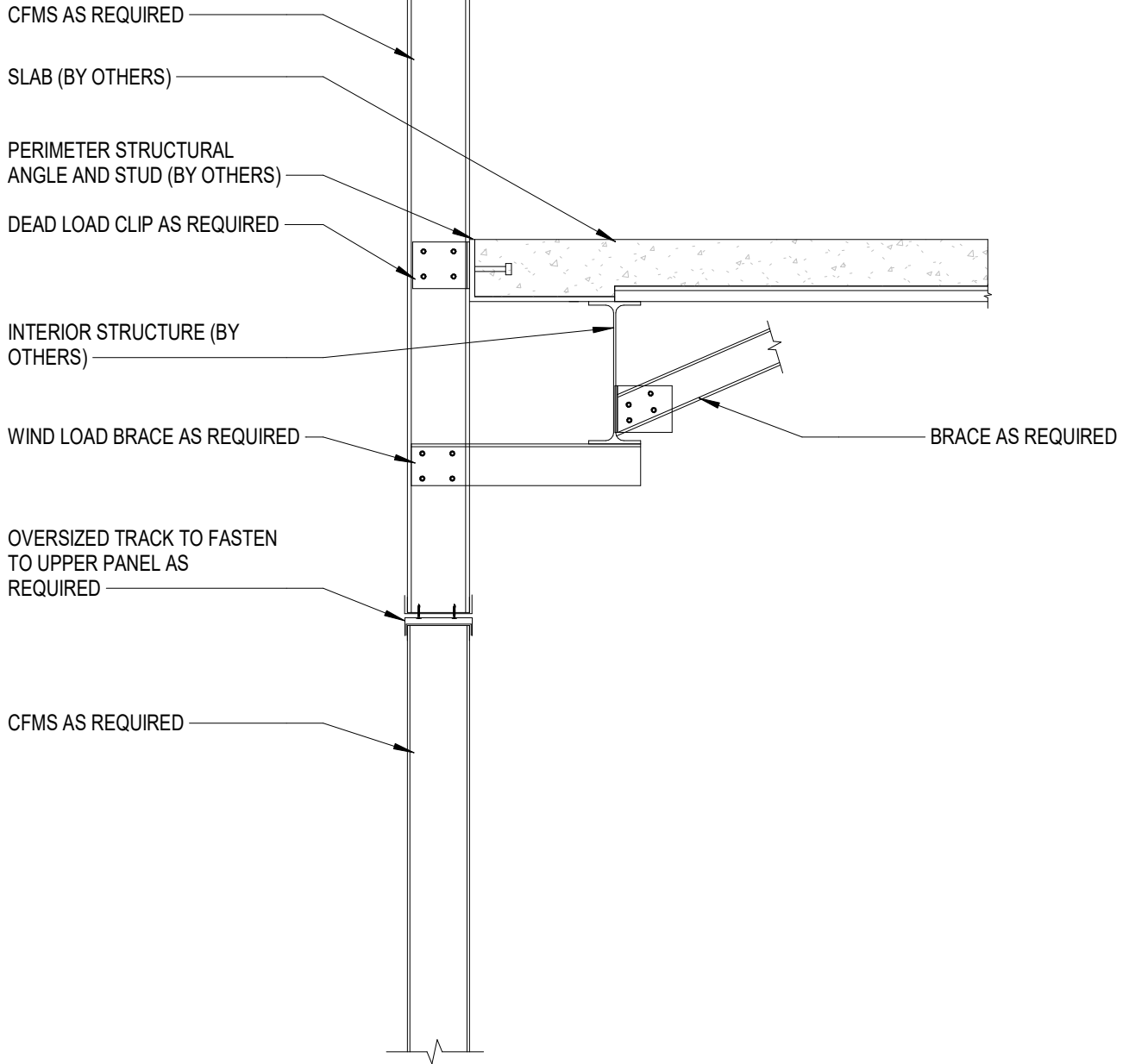
1121 RICHLAND COMMERCE DRIVE; SUITE B  
QUAKERTOWN, PA 18951

Scale 3/4" = 1'-0"

Date: 06/29/21

**KSF-C-ST-11**





REFERENCE DETAIL ONLY - CONSULT WITH CFMS STRUCTURAL ENGINEER FOR SIZING, BRACING AND ATTACHMENT REQUIREMENTS



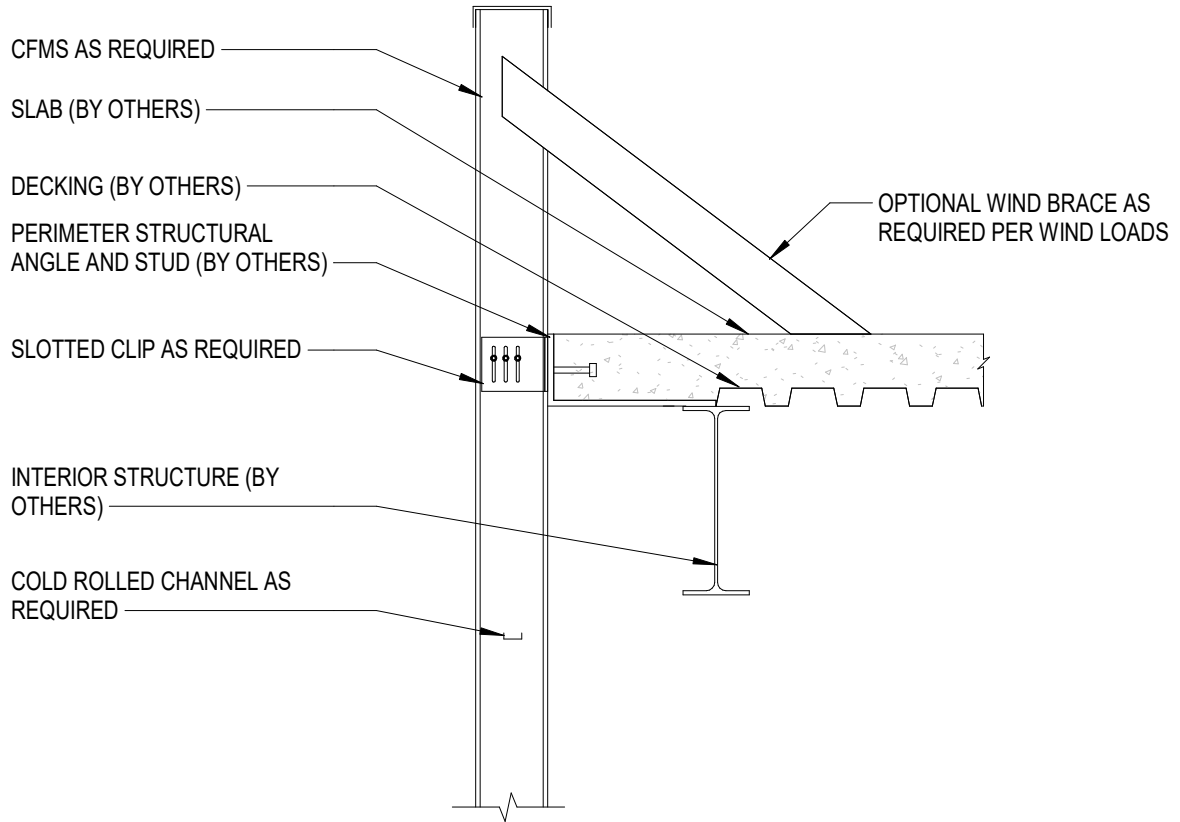
# SPANDREL PANEL WITH INFILL WINDOWS

1121 RICHLAND COMMERCE DRIVE; SUITE B  
QUAKERTOWN, PA 18951

Scale 3/4" = 1'-0"

Date: 06/29/21

**KSF-C-ST-12**



REFERENCE DETAIL ONLY - CONSULT WITH CFMS STRUCTURAL ENGINEER FOR SIZING, BRACING AND ATTACHMENT REQUIREMENTS



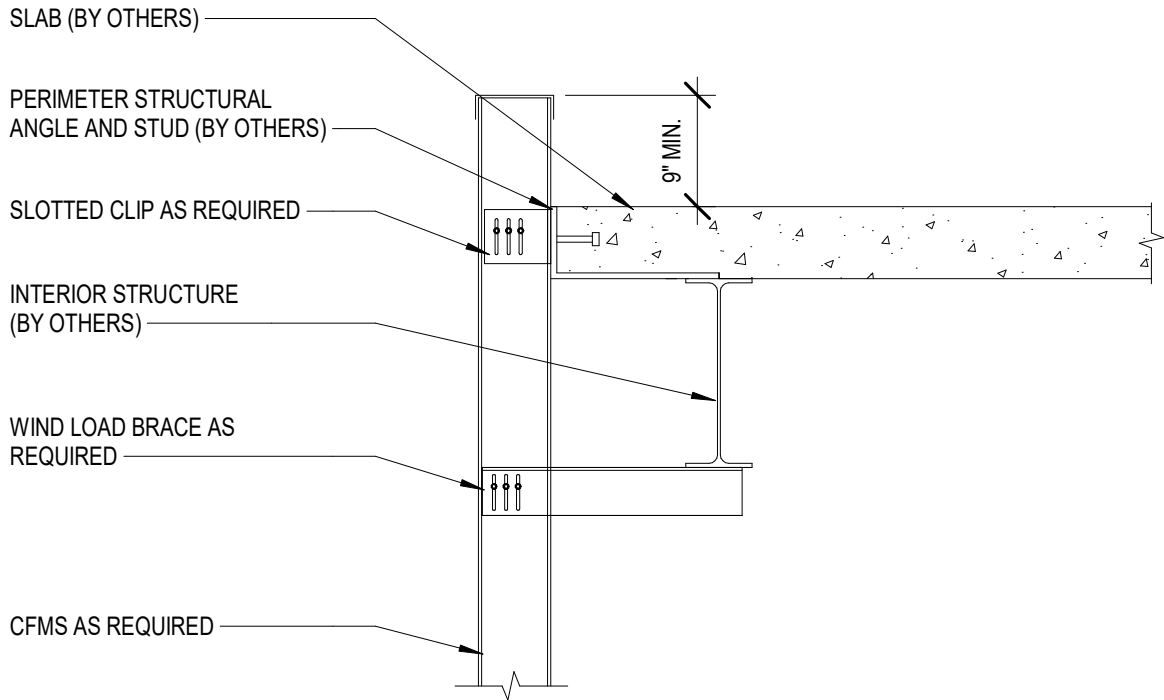
# PARAPET WITH FOUNDATION SUPPORTED WALL PANEL

1121 RICHLAND COMMERCE DRIVE; SUITE B  
QUAKERTOWN, PA 18951

Scale 3/4" = 1'-0"

Date: 06/29/21

**KSF-C-ST-13**



REFERENCE DETAIL ONLY - CONSULT WITH CFMS STRUCTURAL  
ENGINEER FOR SIZING, BRACING AND ATTACHMENT REQUIREMENTS

**KLOVER** 

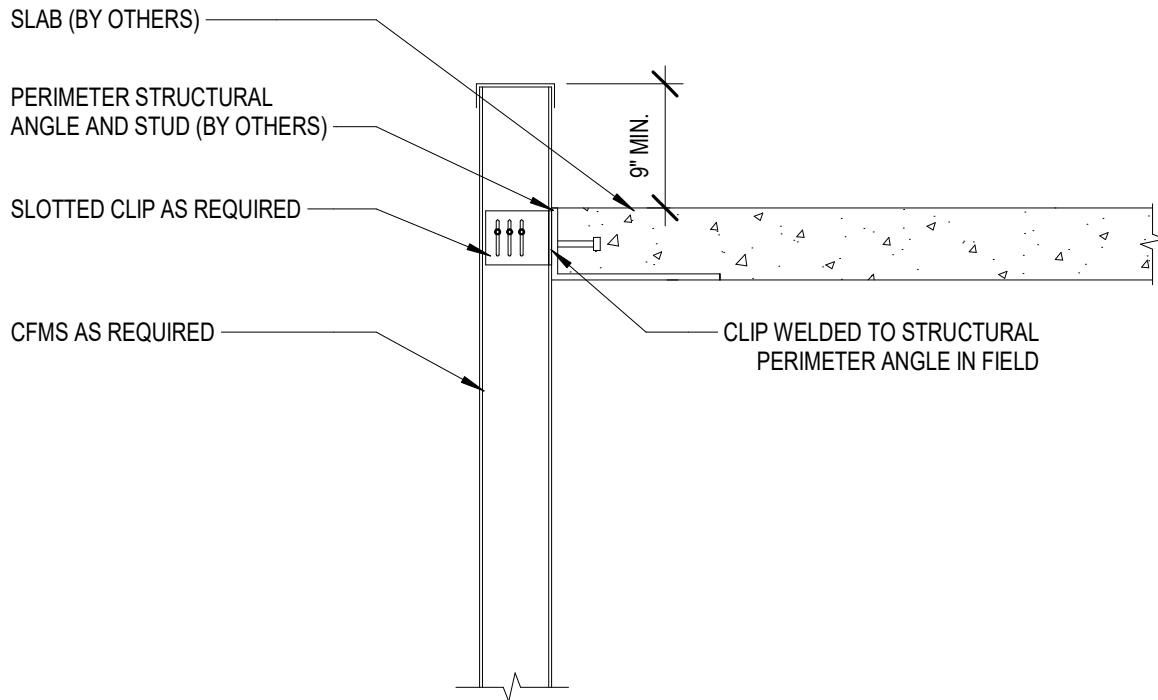
**PANEL ATTACHMENT TO SLAB  
EDGE W/ PLATE**

1121 RICHLAND COMMERCE DRIVE; SUITE B  
QUAKERTOWN, PA 18951

Scale 3/4" = 1'-0"

Date: 06/29/21

**KSF-C-ST-14**



REFERENCE DETAIL ONLY - CONSULT WITH CFMS STRUCTURAL ENGINEER FOR SIZING, BRACING AND ATTACHMENT REQUIREMENTS



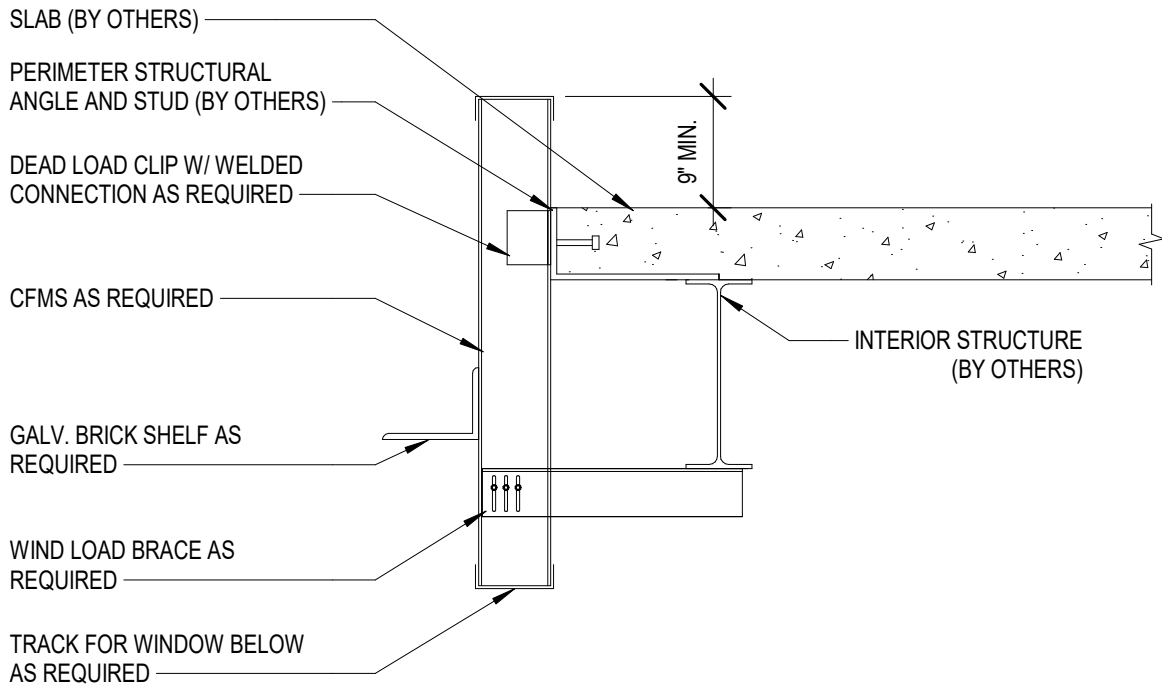
**PANEL ATTACHMENT TO SLAB  
EDGE W/ WELDED CLIP**

1121 RICHLAND COMMERCE DRIVE; SUITE B  
QUAKERTOWN, PA 18951

Scale 3/4" = 1'-0"

Date: 06/29/21

**KSF-C-ST-15**



REFERENCE DETAIL ONLY - CONSULT WITH CFMS STRUCTURAL ENGINEER FOR SIZING, BRACING AND ATTACHMENT REQUIREMENTS



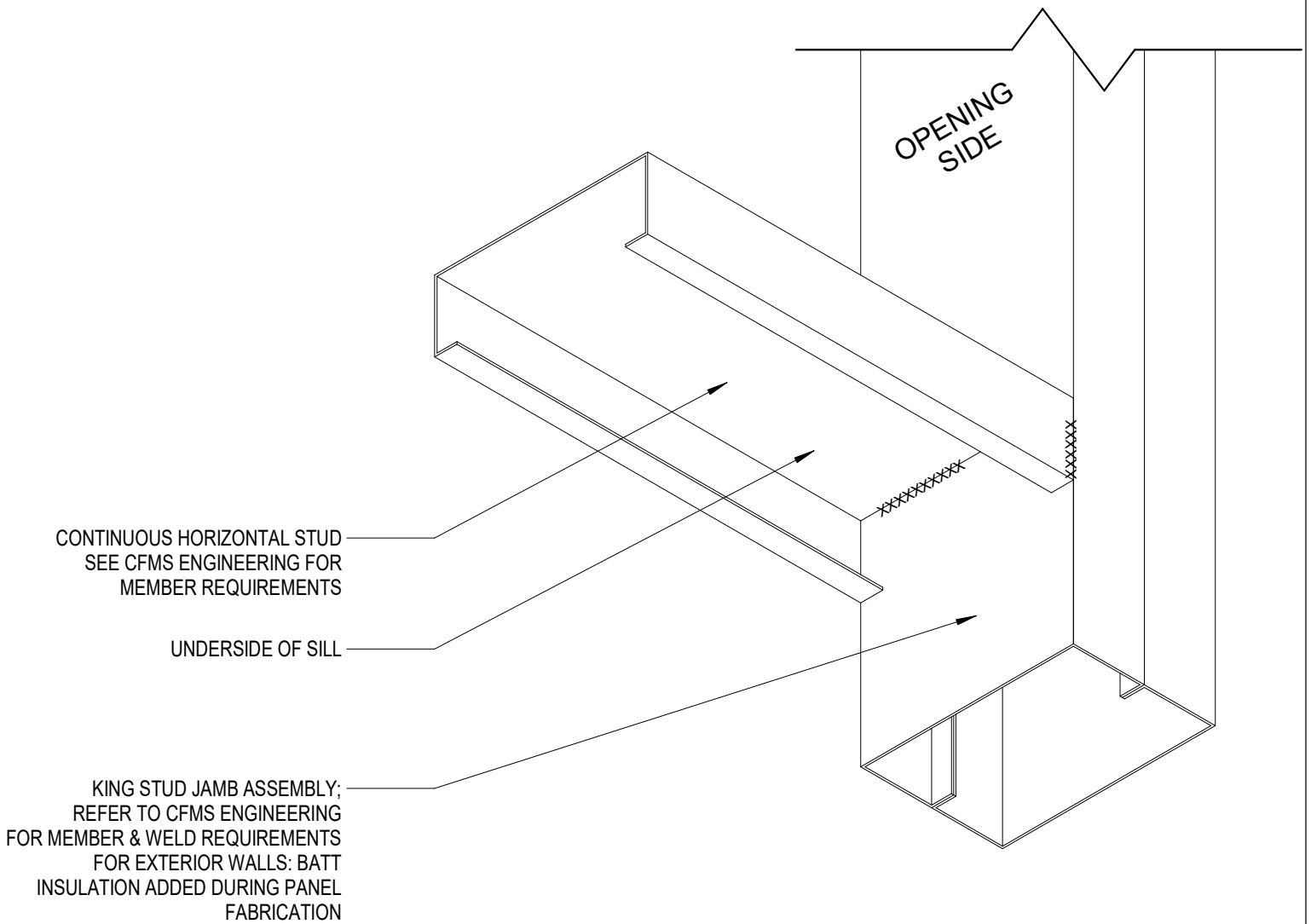
**SPANDREL PANEL ATTACHMENT  
W/ BRICK SHELF TO SLAB EDGE**

1121 RICHLAND COMMERCE DRIVE; SUITE B  
QUAKERTOWN, PA 18951

Scale 3/4" = 1'-0"

Date: 06/29/21

**KSF-C-ST-16**



**KLOVER** 

**FRAMED OPENING- SILL**

1121 RICHLAND COMMERCE DRIVE; SUITE B  
QUAKERTOWN, PA 18951

Scale 3" = 1'-0"

Date: 06/29/21

**KSF-C-FO-01**

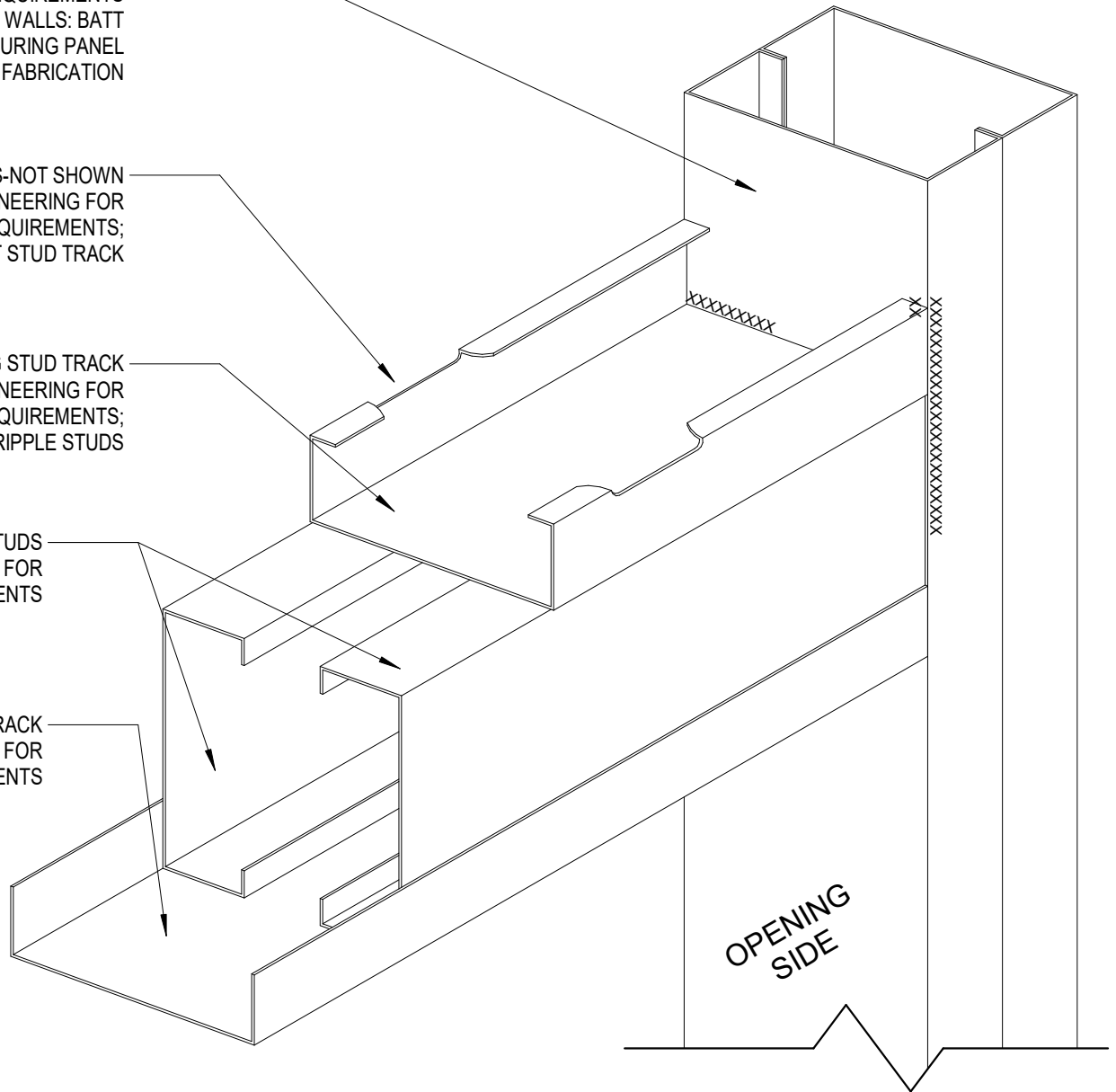
KING STUD JAMB ASSEMBLY;  
REFER TO CFMS ENGINEERING FOR  
MEMBER AND WELD REQUIREMENTS  
FOR EXTERIOR WALLS: BATT  
INSULATION ADDED DURING PANEL  
FABRICATION

CRIPPLE STUDS-NOT SHOWN  
SEE CFMS ENGINEERING FOR  
MEMBER REQUIREMENTS;  
SWAGED END AT STUD TRACK

CRIPPLE RECEIVING STUD TRACK  
SEE CFMS ENGINEERING FOR  
MEMBER REQUIREMENTS;  
LIP CUT AT CRIPPLE STUDS

HEADER STUDS  
SEE CFMS ENGINEERING FOR  
MEMBER REQUIREMENTS

CONTINUOUS TRACK  
SEE CFMS ENGINEERING FOR  
MEMBER REQUIREMENTS



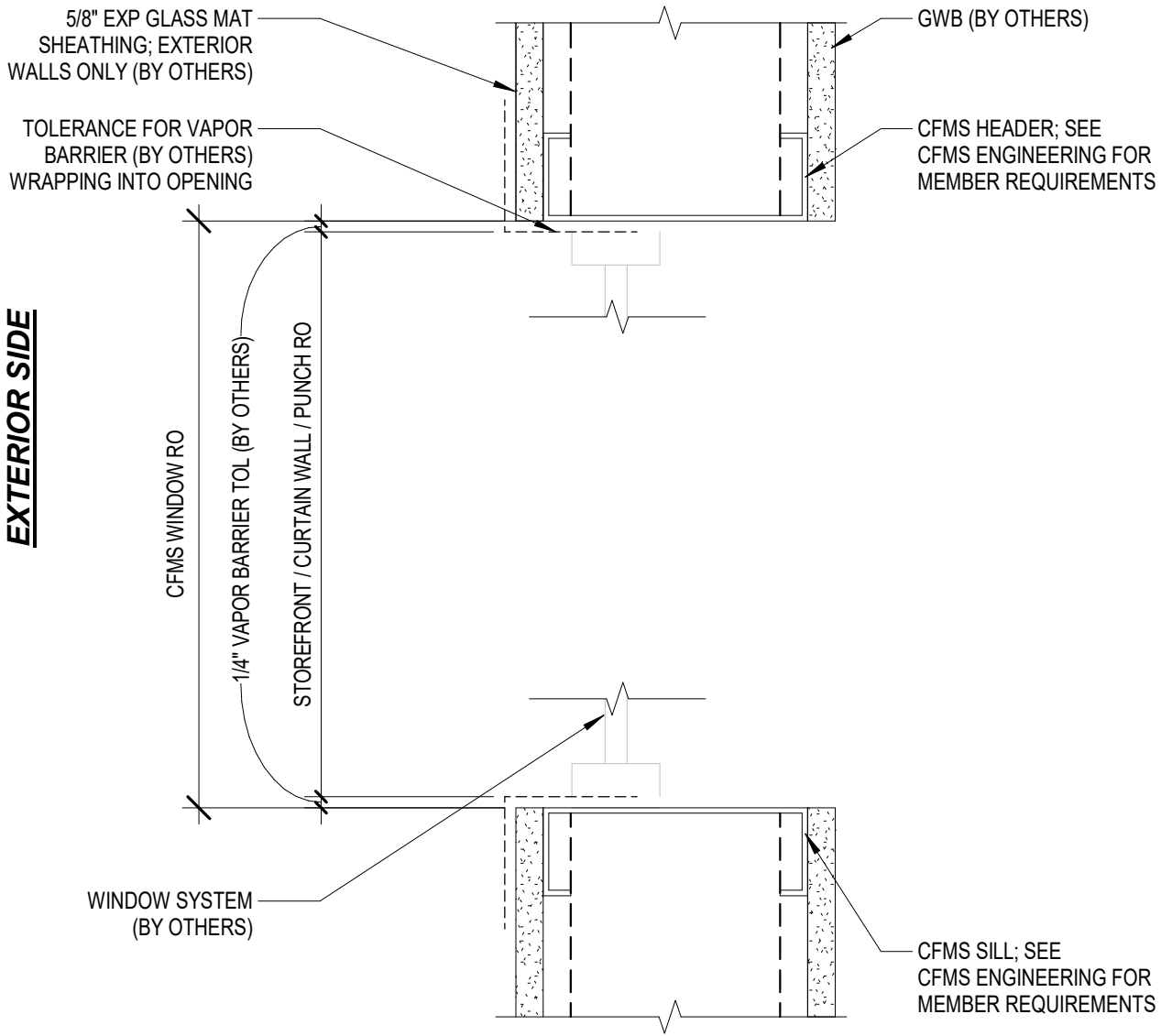
## BOXED HEADER (TYP.)

1121 RICHLAND COMMERCE DRIVE; SUITE B  
QUAKERTOWN, PA 18951

Scale 3" = 1'-0"

Date: 06/29/21

KSF-C-FO-02



**\*WINDOW SHOP DRAWINGS REQUIRED PRIOR TO PANEL FABRICATION**



**WINDOW HEADER AND SILL**

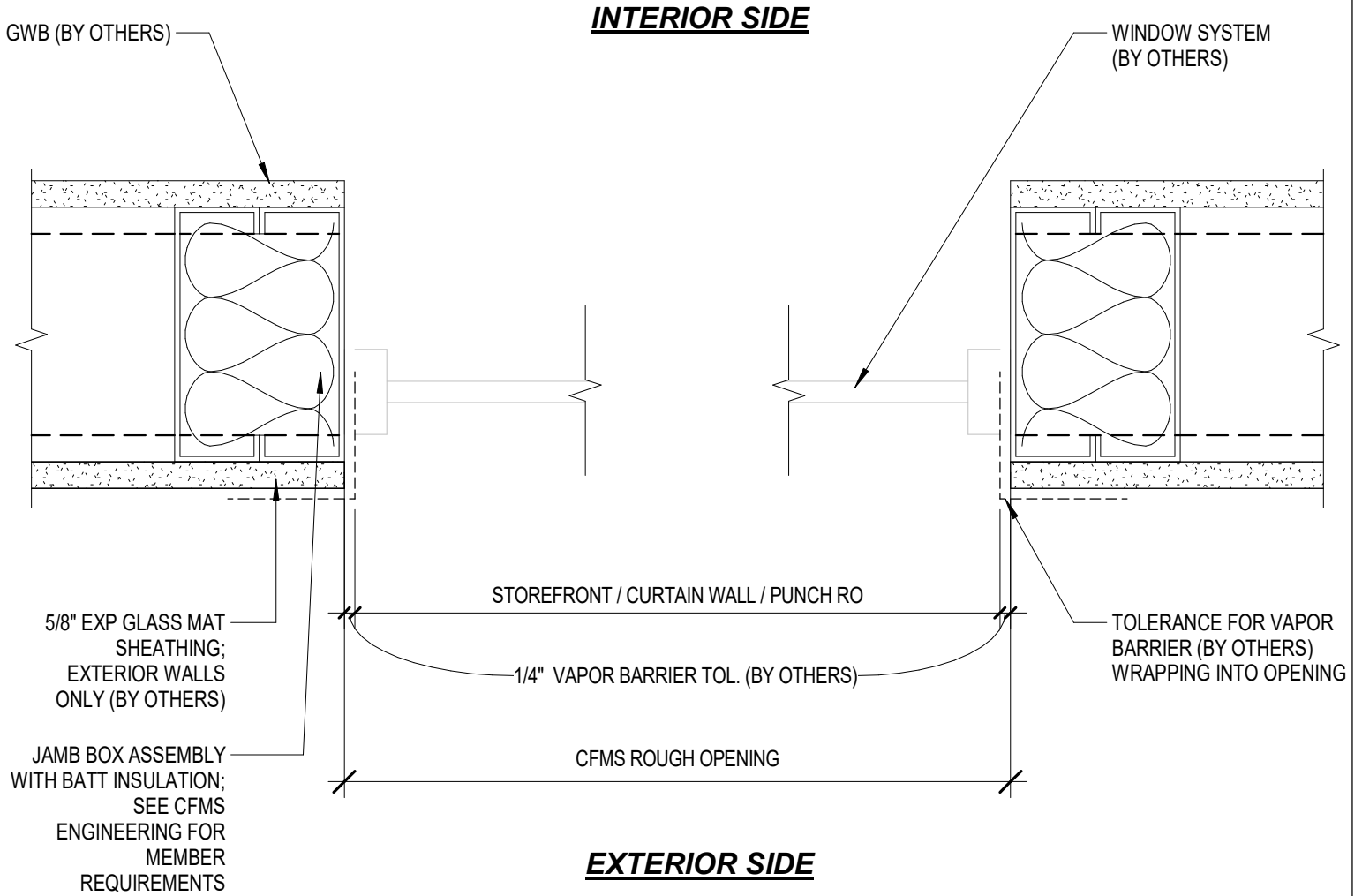
1121 RICHLAND COMMERCE DRIVE; SUITE B  
QUAKERTOWN, PA 18951

Scale 3" = 1'-0"

Date: 06/29/21

**KSF-C-FO-03**





**\*WINDOW SHOP DRAWINGS REQUIRED PRIOR TO PANEL FABRICATION**



**WINDOW JAMB**

1121 RICHLAND COMMERCE DRIVE; SUITE B  
QUAKERTOWN, PA 18951

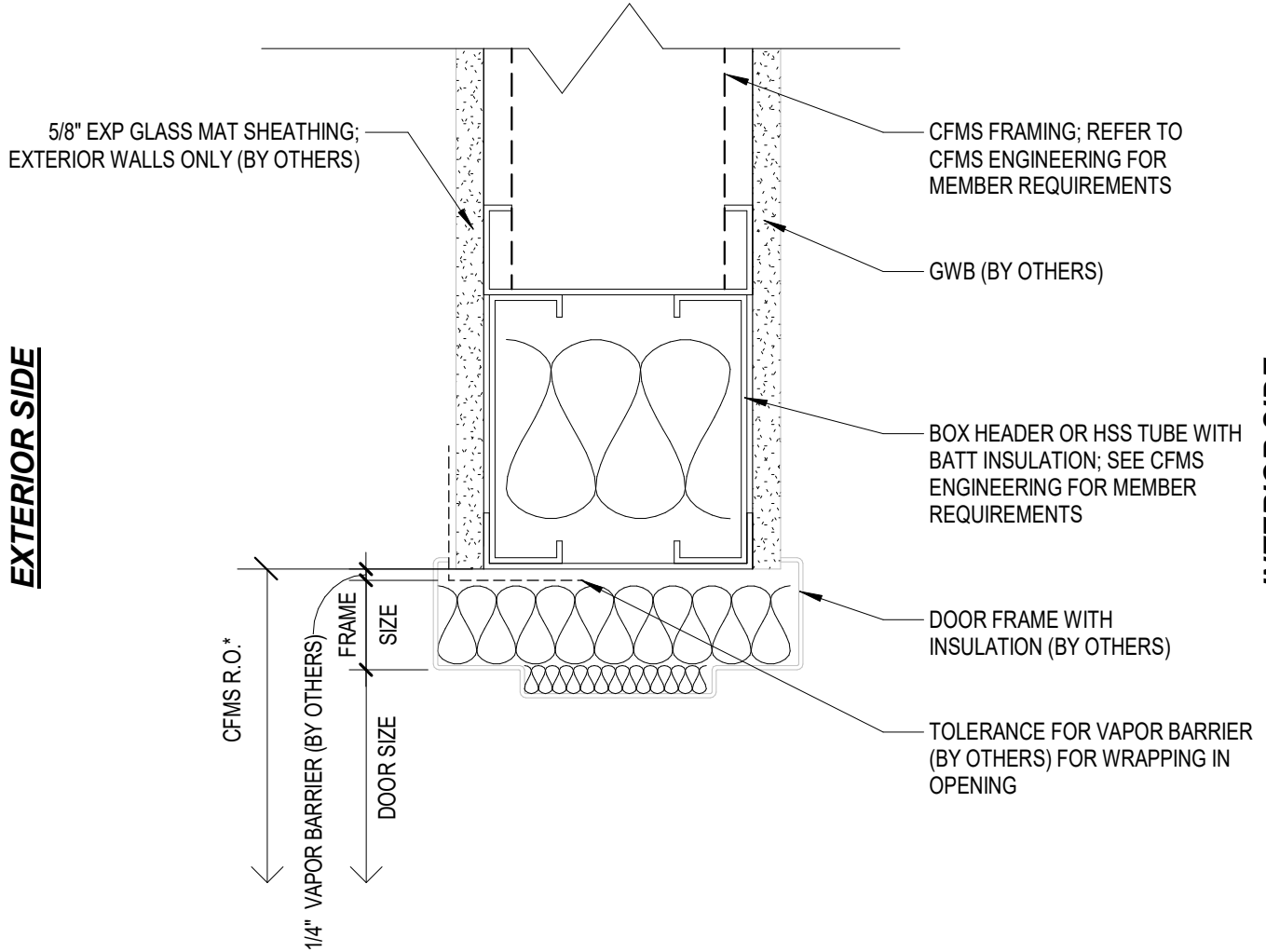
Scale 3" = 1'-0"

Date: 06/29/21

**KSF-C-FO-04**

**EXTERIOR SIDE**

**INTERIOR SIDE**



**\*DOOR SHOP DRAWINGS REQUIRED PRIOR TO PANEL FABRICATION**



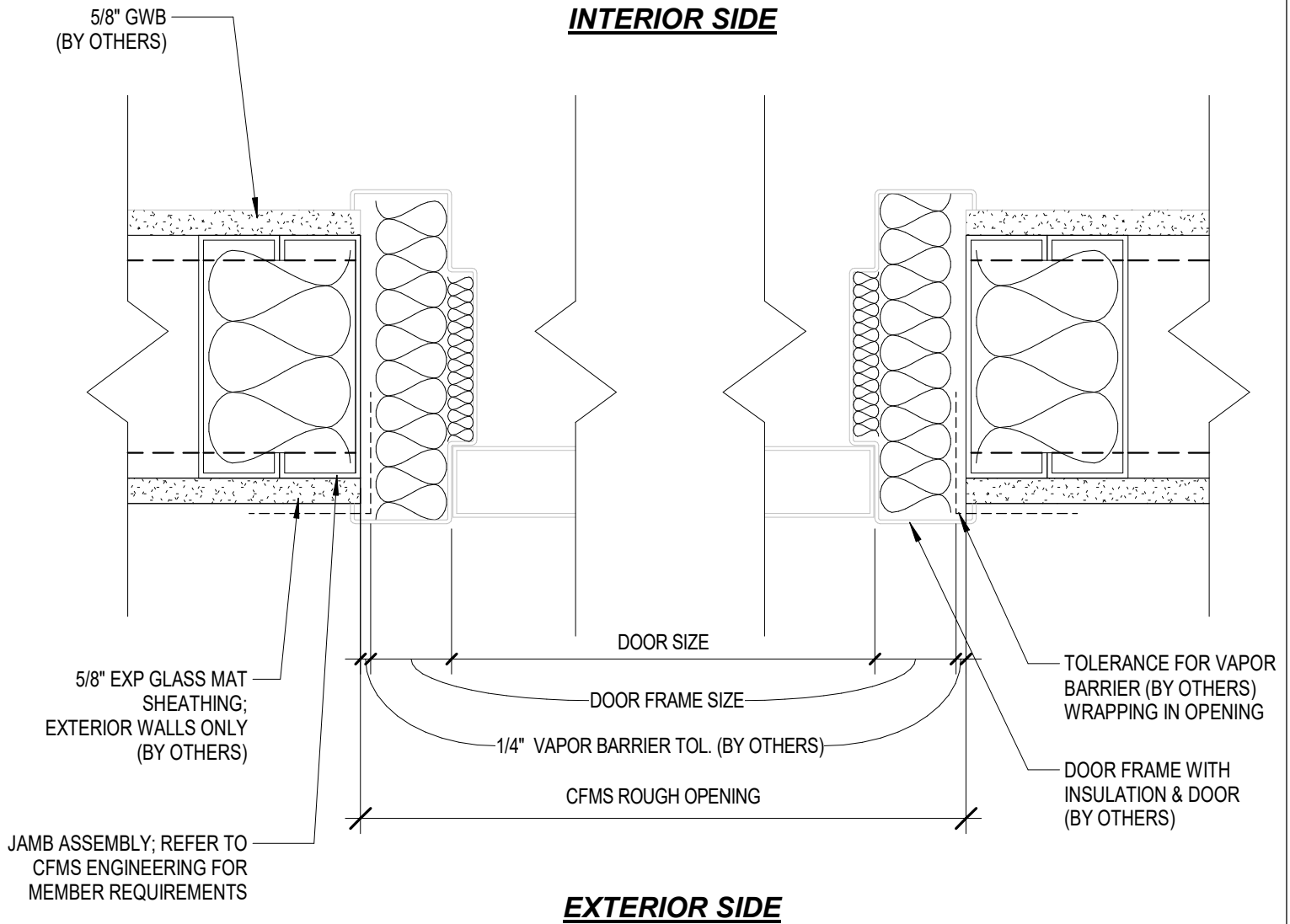
## EXTERIOR DOOR HEADER (TYP)

1121 RICHLAND COMMERCE DRIVE; SUITE B  
QUAKERTOWN, PA 18951

Scale 3" = 1'-0"

Date: 06/29/21

**KSF-C-FO-05**



**\*DOOR SHOP DRAWINGS REQUIRED PRIOR TO PANEL FABRICATION**



**EXTERIOR DOOR JAMB (TYP)**

1121 RICHLAND COMMERCE DRIVE; SUITE B  
QUAKERTOWN, PA 18951

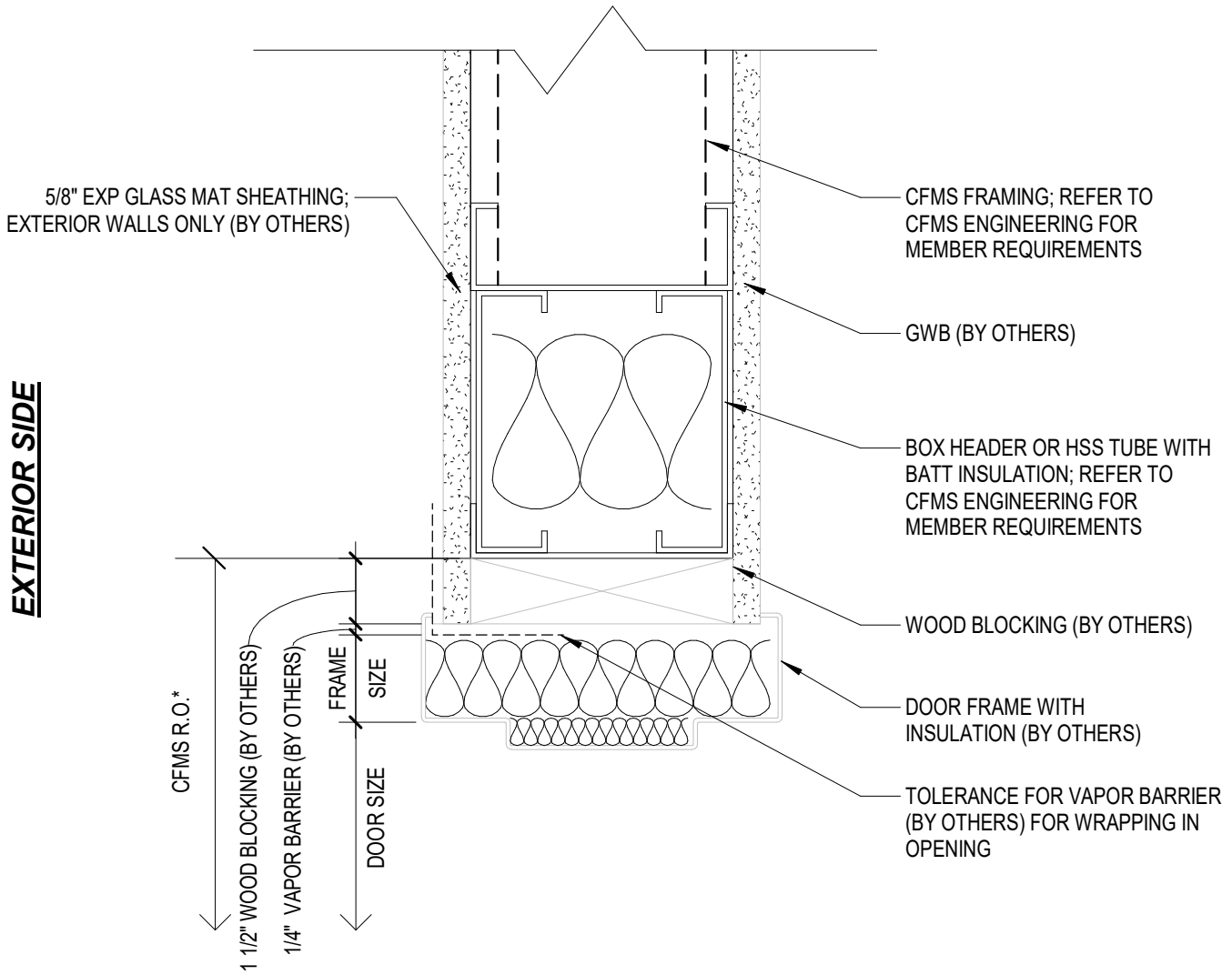
Scale 3" = 1'-0"

Date: 06/29/21

**KSF-C-FO-06**

**EXTERIOR SIDE**

**INTERIOR SIDE**



**\*DOOR SHOP DRAWINGS REQUIRED PRIOR TO PANEL FABRICATION**



## EXTERIOR DOOR HEADER ALTERNATE

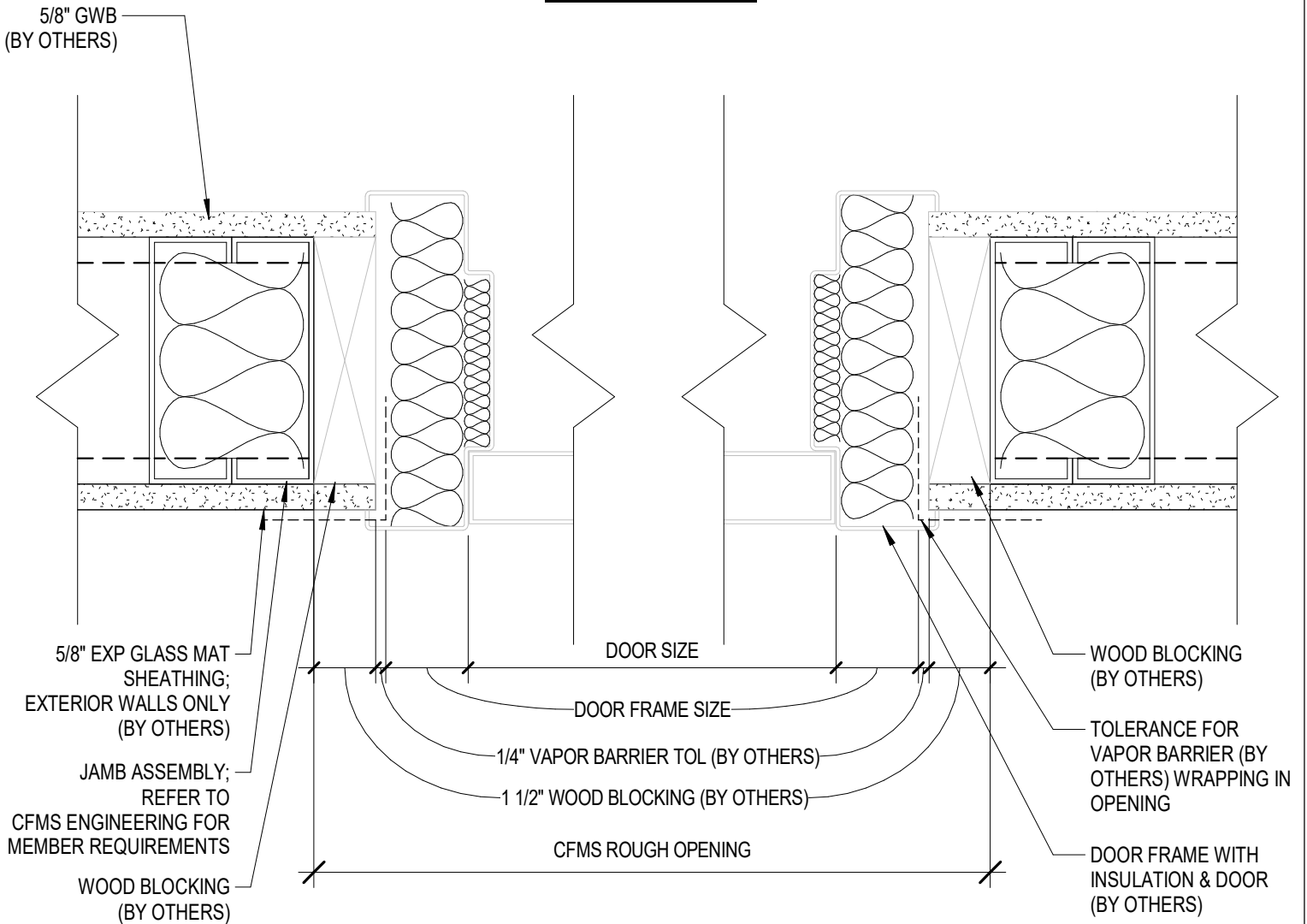
1121 RICHLAND COMMERCE DRIVE; SUITE B  
QUAKERTOWN, PA 18951

Scale 3" = 1'-0"

Date: 06/29/21

**KSF-C-FO-07**

**INTERIOR SIDE**



**EXTERIOR SIDE**

**\*DOOR SHOP DRAWINGS REQUIRED PRIOR TO PANEL FABRICATION**



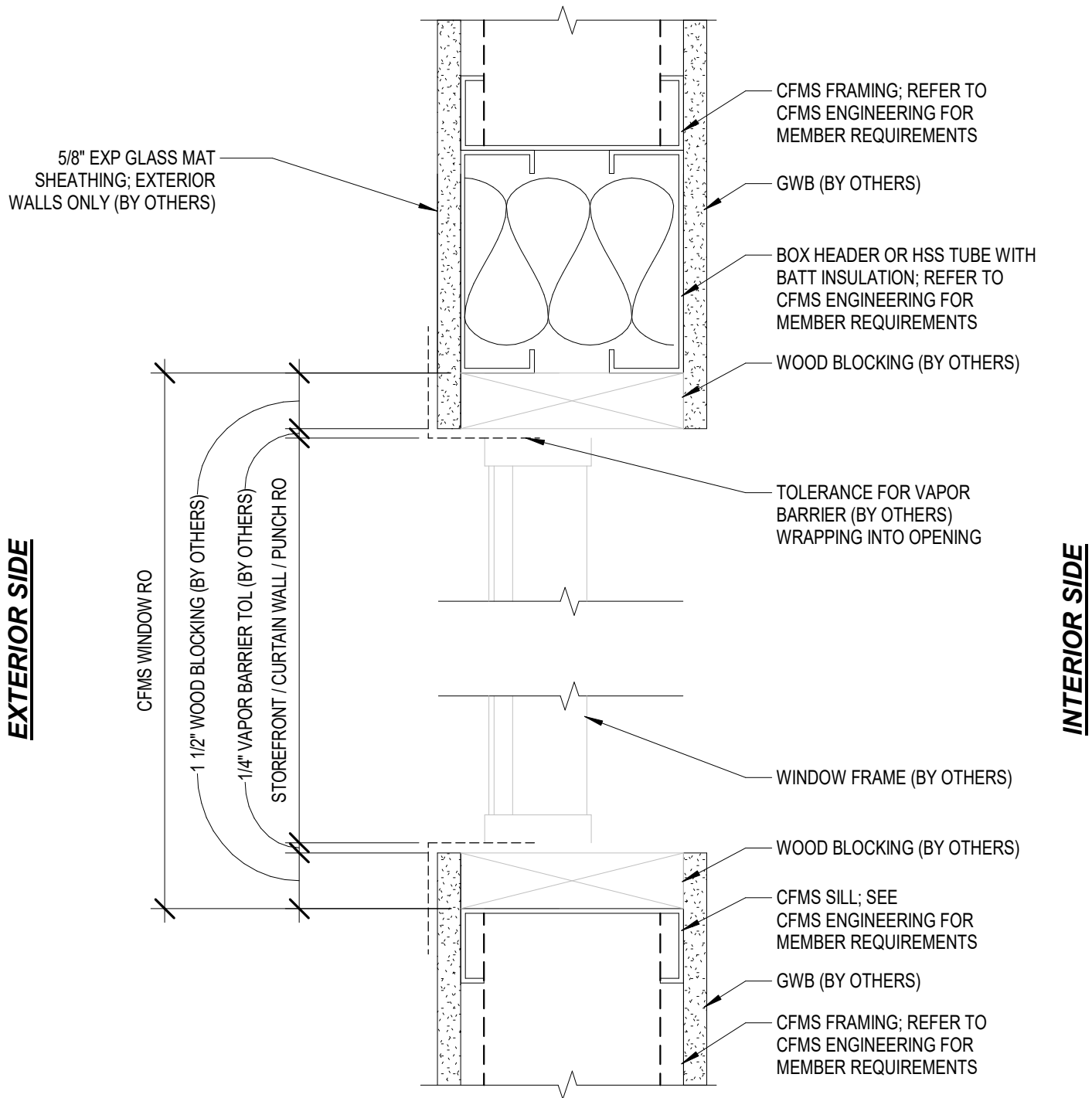
**EXTERIOR DOOR JAMB  
ALTERNATE**

1121 RICHLAND COMMERCE DRIVE; SUITE B  
QUAKERTOWN, PA 18951

Scale 3" = 1'-0"

Date: 06/29/21

**KSF-C-FO-08**



**\*WINDOW SHOP DRAWINGS REQUIRED PRIOR TO PANEL FABRICATION**



**WINDOW BOX HEADER AND SILL**

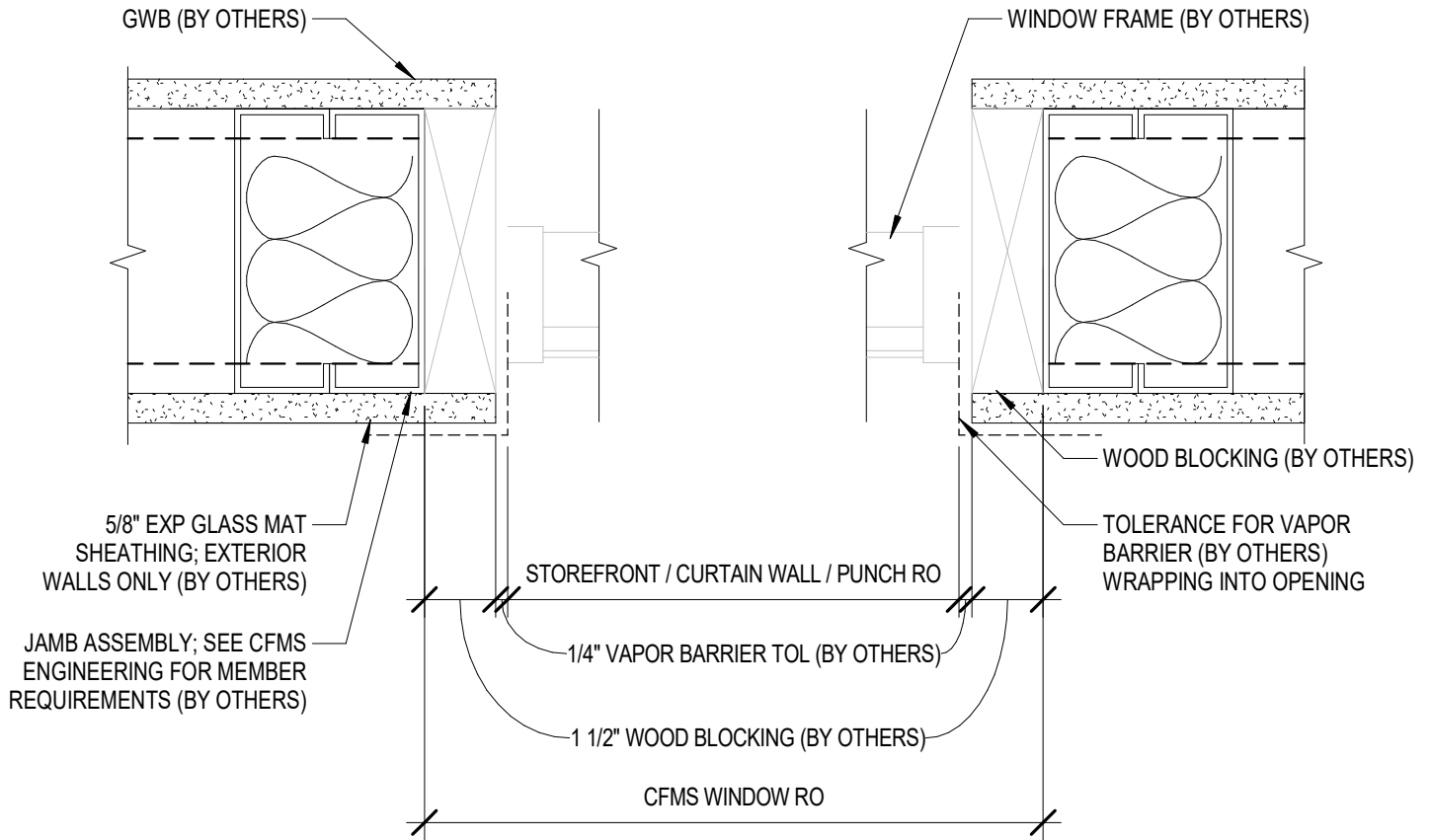
1121 RICHLAND COMMERCE DRIVE; SUITE B  
QUAKERTOWN, PA 18951

Scale 3" = 1'-0"

Date: 06/29/21

**KSF-C-FO-09**

**INTERIOR SIDE**



**EXTERIOR SIDE**

**\*WINDOW SHOP DRAWINGS REQUIRED  
PRIOR TO PANEL FABRICATION**



**WINDOW JAMB DETAIL**

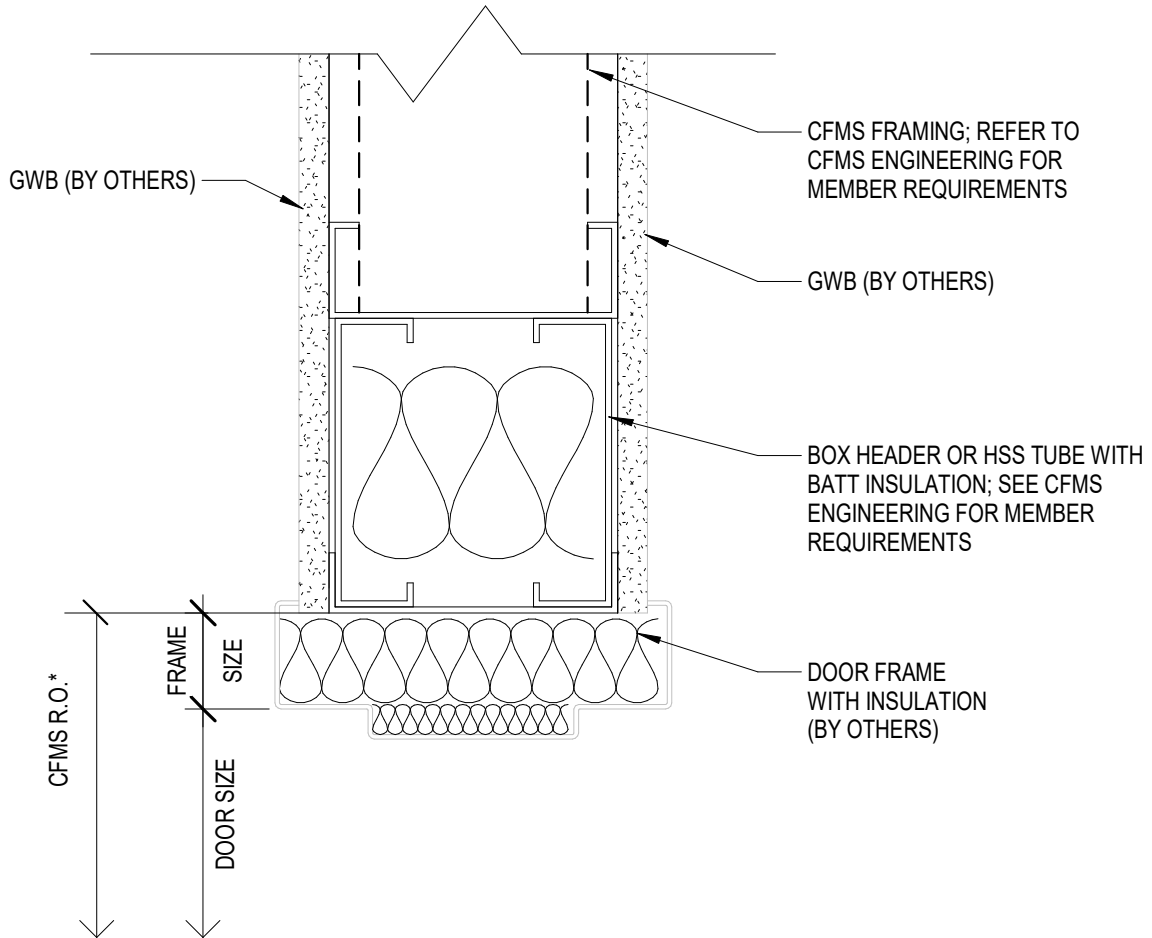
1121 RICHLAND COMMERCE DRIVE; SUITE B  
QUAKERTOWN, PA 18951

Scale 3" = 1'-0"

Date: 06/29/21

**KSF-C-FO-10**

**INTERIOR SIDE**



**INTERIOR SIDE**

**\*DOOR SHOP DRAWINGS REQUIRED PRIOR TO PANEL FABRICATION**



## INTERIOR DOOR BOX HEADER

1121 RICHLAND COMMERCE DRIVE; SUITE B  
QUAKERTOWN, PA 18951

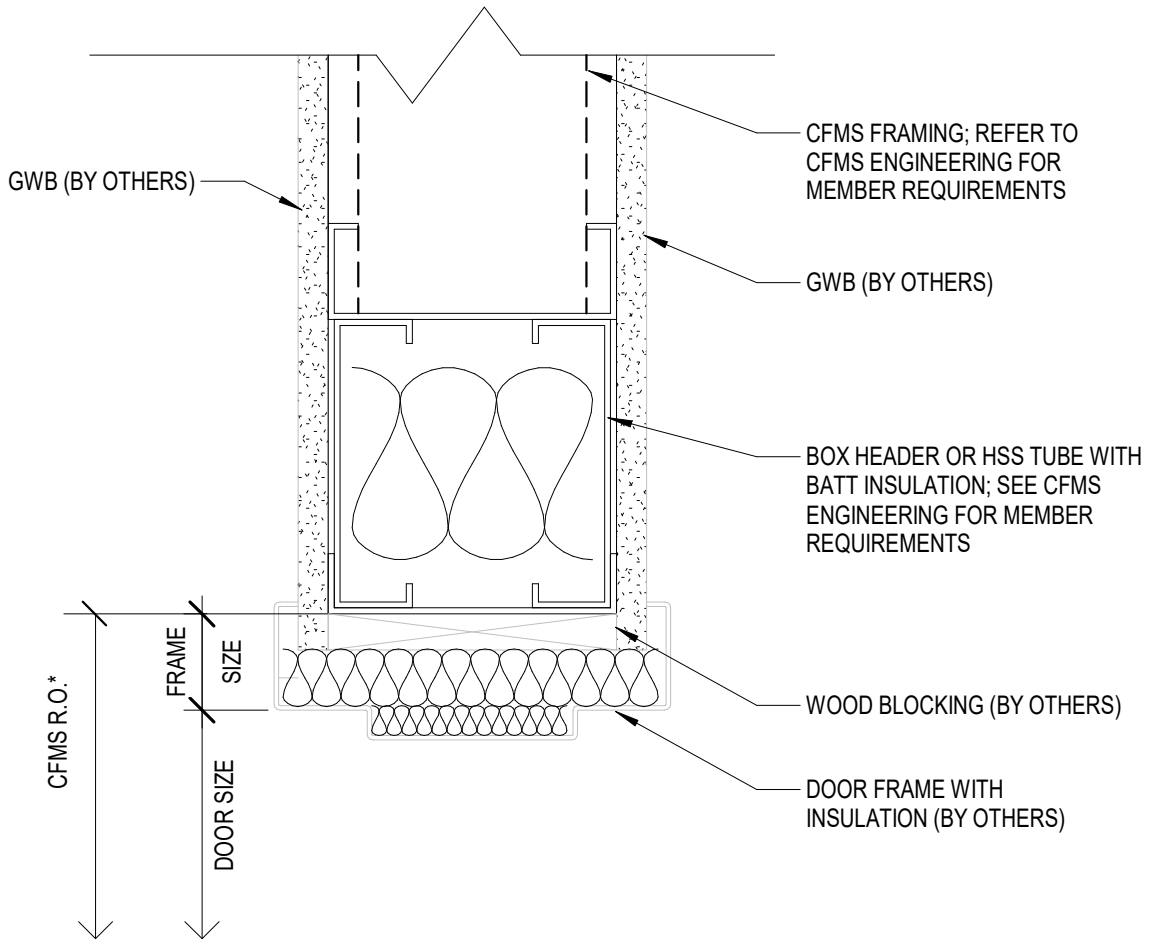
Scale 3" = 1'-0"

Date: 06/29/21

**KSF-C-FO-11**



**INTERIOR SIDE**



**INTERIOR SIDE**

**\*DOOR SHOP DRAWINGS REQUIRED PRIOR TO PANEL FABRICATION**



# INTERIOR DOOR BOX HEADER ALTERNATE

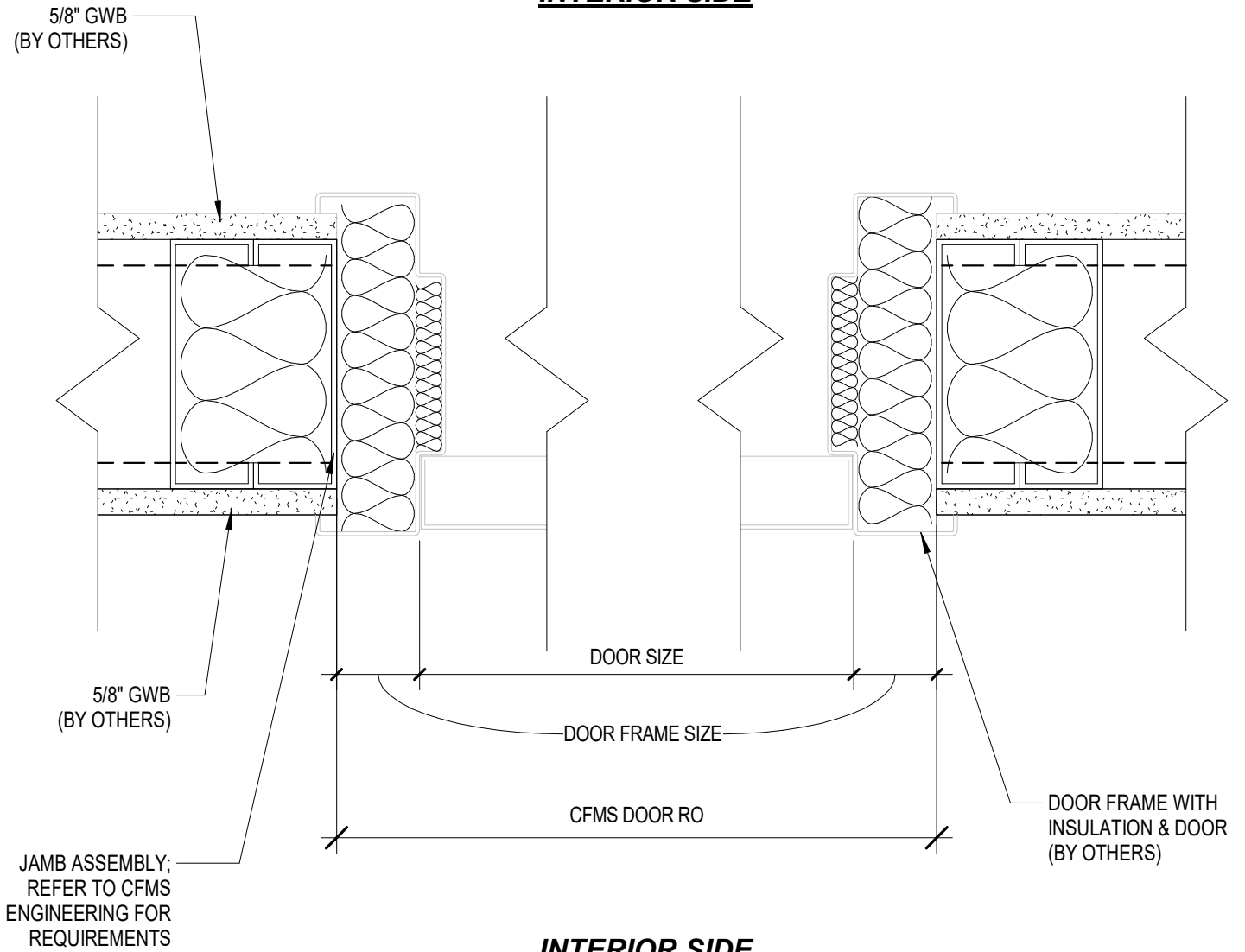
1121 RICHLAND COMMERCE DRIVE; SUITE B  
QUAKERTOWN, PA 18951

Scale 3" = 1'-0"

Date: 06/29/21

**KSF-C-FO-12**

**INTERIOR SIDE**



**\*DOOR SHOP DRAWINGS REQUIRED PRIOR TO PANEL FABRICATION**

**KLOVER**

**INTERIOR DOOR JAMB (TYP.)**

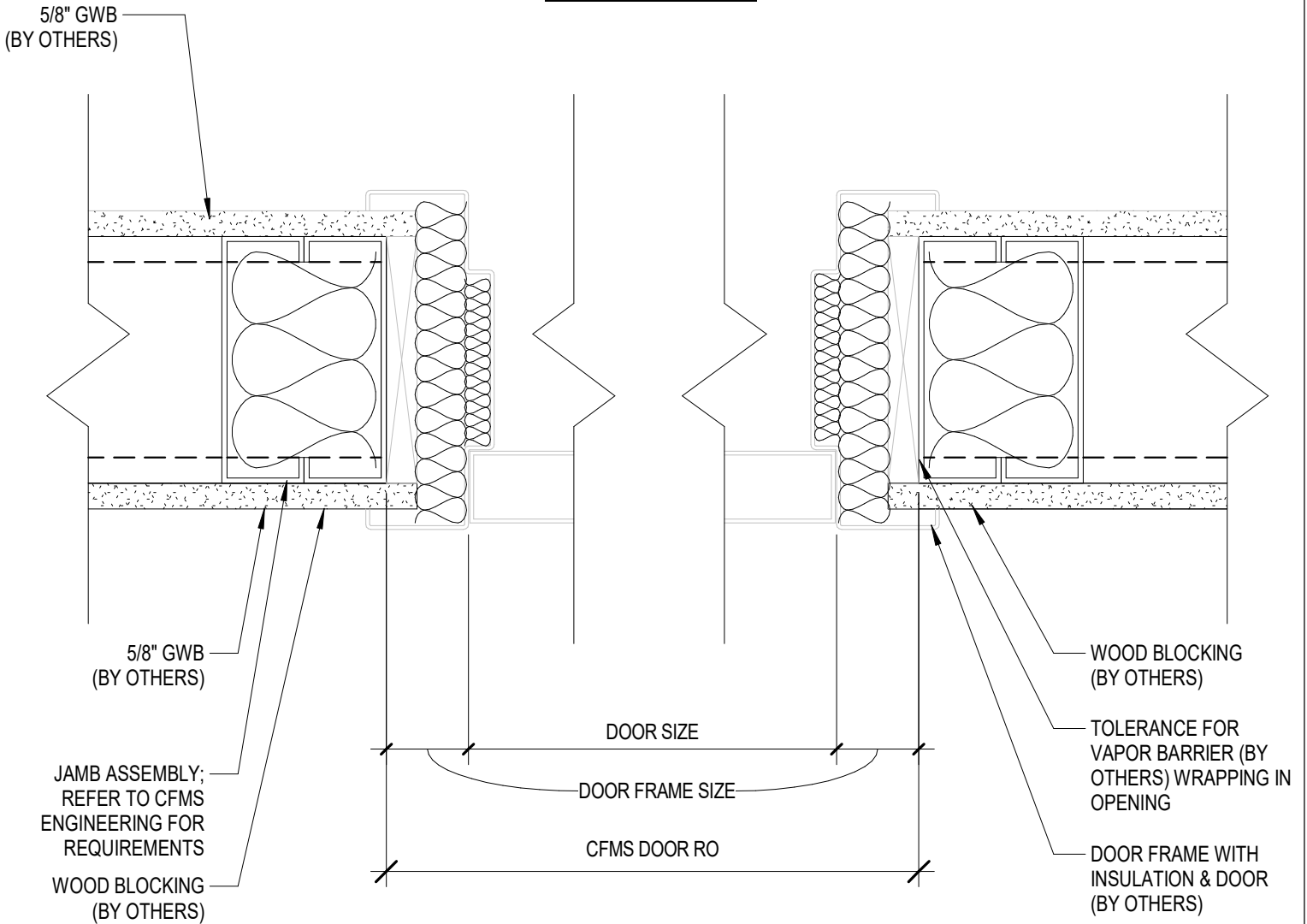
1121 RICHLAND COMMERCE DRIVE; SUITE B  
QUAKERTOWN, PA 18951

Scale 3" = 1'-0"

Date: 06/29/21

**KSF-C-FO-13**

**INTERIOR SIDE**



**INTERIOR SIDE**

**\*DOOR SHOP DRAWINGS REQUIRED PRIOR TO PANEL FABRICATION**



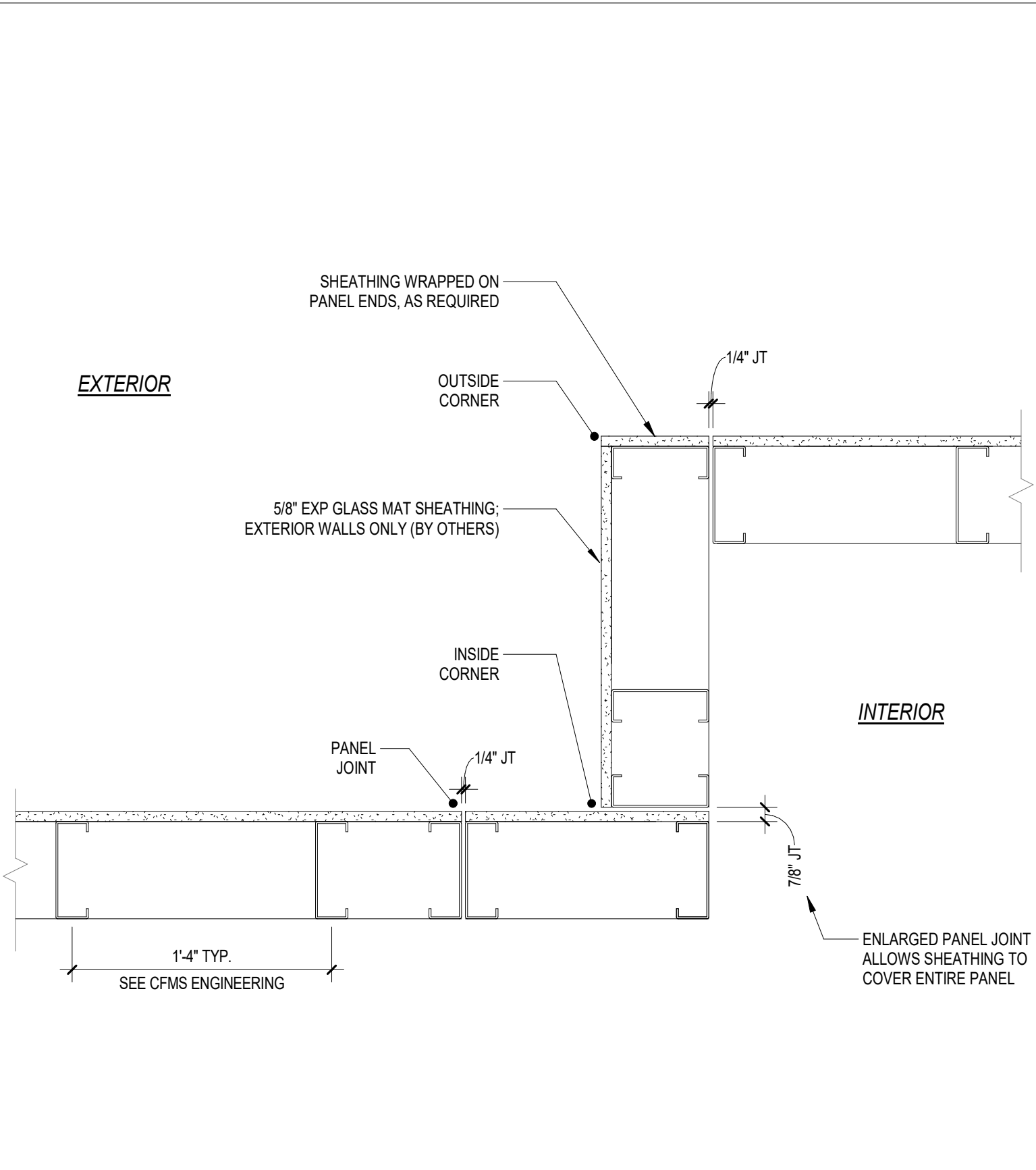
**INTERIOR DOOR JAMB  
ALTERNATE**

1121 RICHLAND COMMERCE DRIVE; SUITE B  
QUAKERTOWN, PA 18951

Scale 3" = 1'-0"

Date: 06/29/21

**KSF-C-FO-14**



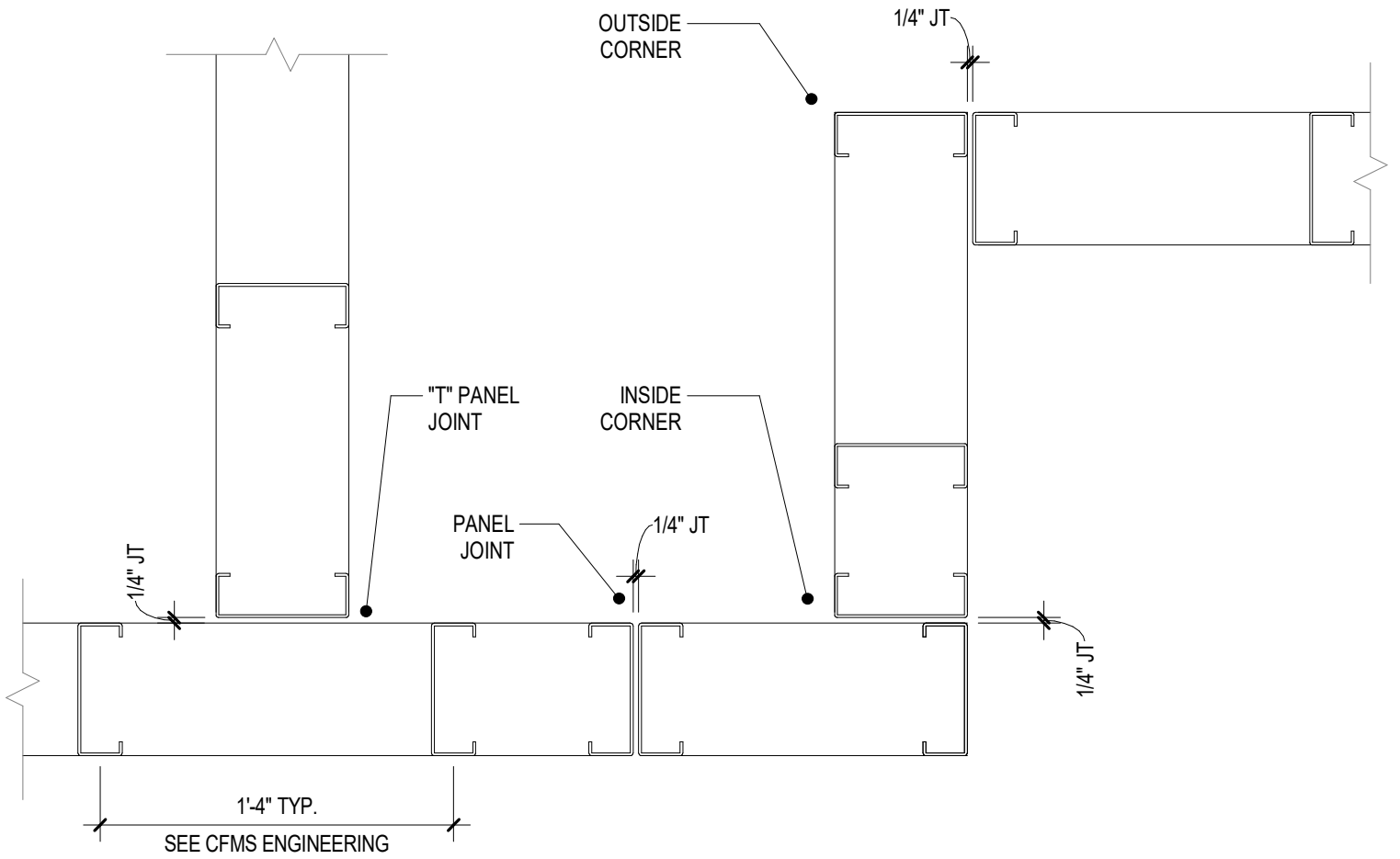
**PANEL JOINTS- EXTERIOR**

1121 RICHLAND COMMERCE DRIVE; SUITE B  
QUAKERTOWN, PA 18951

Scale 1 1/2" = 1'-0"

Date: 06/29/21

**KSF-C-PJ-01**



# PANEL JOINTS- INTERIOR

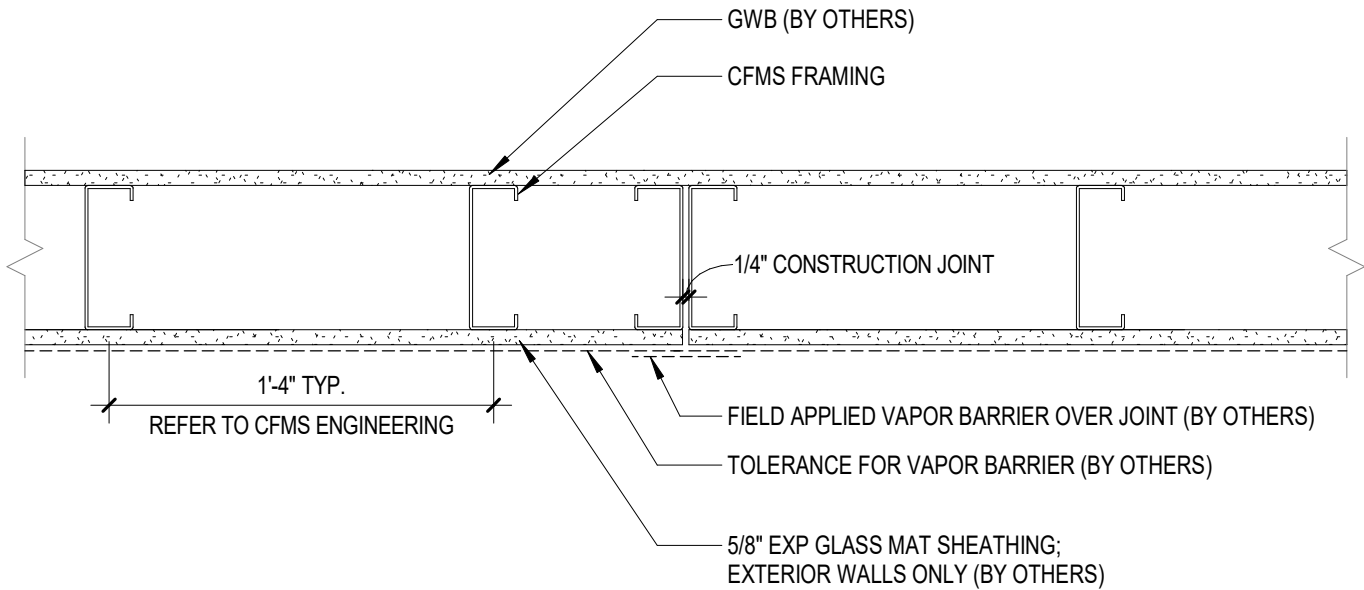
1121 RICHLAND COMMERCE DRIVE; SUITE B  
QUAKERTOWN, PA 18951

Scale 1 1/2" = 1'-0"

Date: 06/29/21

KSF-C-PJ-02

INTERIOR



EXTERIOR



PANEL JOINT - VAPOR BARRIER  
FIELD TAPING OVER SHEATHING

1121 RICHLAND COMMERCE DRIVE; SUITE B  
QUAKERTOWN, PA 18951

Scale 1 1/2" = 1'-0"

Date: 06/29/21

KSF-C-PJ-03